










13 672 661



- 282mm projection
- circular normal flow
- total height 811 - 881 mm
- height up to aerator 671 – 741 mm
- slide-on rosettes Ø 135 mm
- max. flow 28.6 l/min at 3 bar flow pressure
- WRAS 2001026

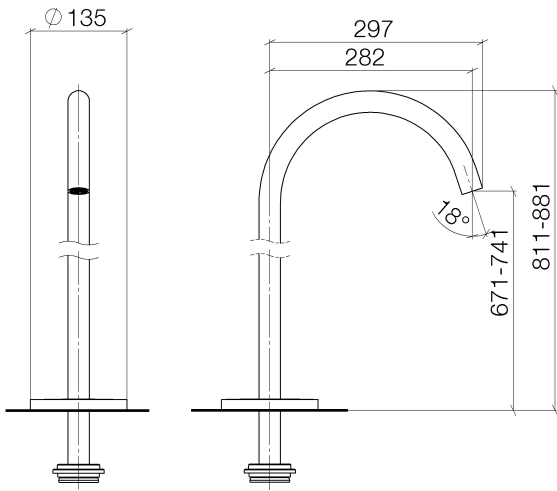
	Matte Black	13 672 661-33
	Chrome	13 672 661-00
	Brushed Platinum	13 672 661-06
	Dark Chrome	13 672 661-19
	Light Gold	13 672 661-26
	Brushed Light Gold	13 672 661-27
	Brushed Bronze	13 672 661-42
	Brushed Chrome	13 672 661-93
	Brushed Dark Platinum	13 672 661-99

Required miscellaneous

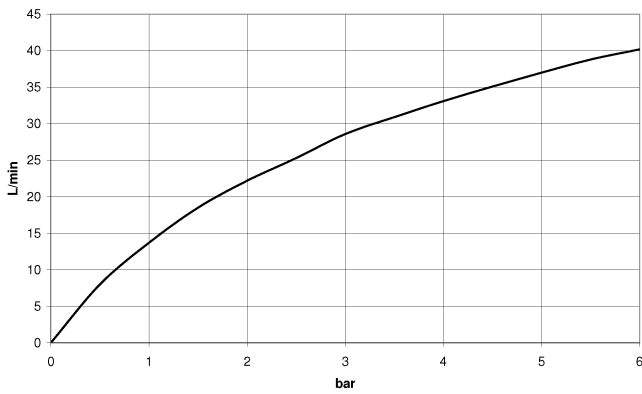


- Concealed floor mounting -** 35 949 970-90
- max. recess depth 150 mm
  - min. recess depth 80 mm
- 0010

13 672 661



**Flow rate chart**



**Codes & Standards**

ASME A112.18.1	ASME A112.18.1/CSA B125.1	cUPC	DIN 4109
ISO 3822	Scottish Water Byelaws	UK Water Supply Regulations	Ü-Zeichen



**META Bath spout without diverter for free-standing assembly - Matte Black**

META

13 672 661

Certificates

IAPMO\_4976

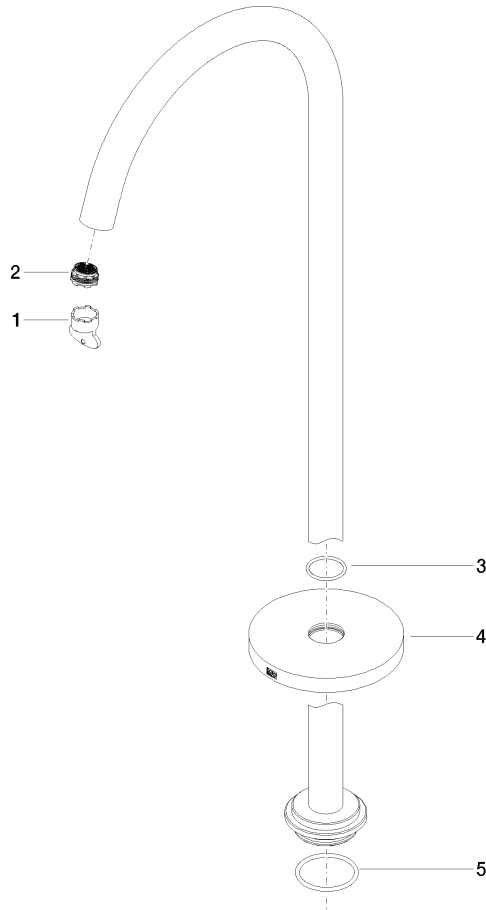
WRAS\_2001

LGA\_18

13 672 661

Product version up to 5/27/2021

**Product version from 5/27/2021**





# META Bath spout without diverter for free-standing assembly - Matte Black

META

13 672 661

## Spare parts list

Product version up to 5/27/2021

### Product version from 5/27/2021

No.	Item Number	Name	Quantity used	Delivery time
	04 30 09 027 00 90	key	5	2