

META Bath spout without diverter for free-standing assembly - Brushed Chrome

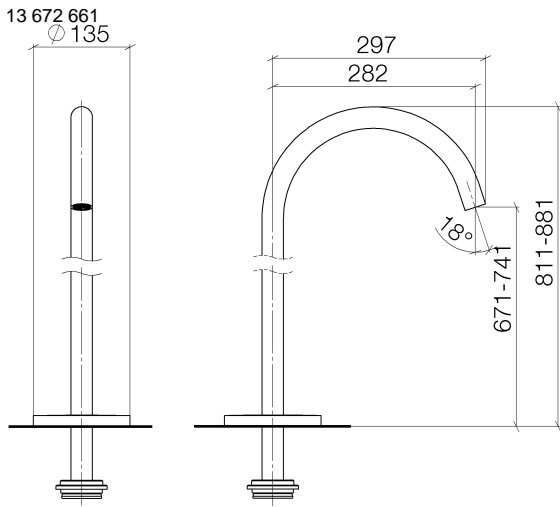
META

13 672 661

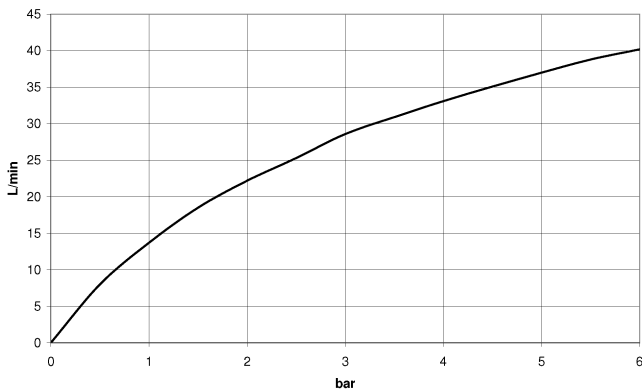


- 282mm projection
- circular normal flow
- total height 811 - 881 mm
- height up to aerator 671 – 741 mm
- slide-on rosettes Ø 135 mm
- max. flow 28.6 l/min at 3 bar flow pressure
- WRAS 2001026

	Brushed Chrome	13 672 661-93
	Chrome	13 672 661-00
	Brushed Platinum	13 672 661-06
	Dark Chrome	13 672 661-19
	Light Gold	13 672 661-26
	Brushed Light Gold	13 672 661-27
	Matte Black	13 672 661-33
	Brushed Bronze	13 672 661-42
	Brushed Dark Platinum	13 672 661-99



Flow rate chart



Codes & Standards

ASME A112.18.1	ASME A112.18.1/CSA B125.1	cUPC	DIN 4109
ISO 3822	Scottish Water Byelaws	UK Water Supply Regulations	Ü-Zeichen



META Bath spout without diverter for free-standing assembly - Brushed Chrome

META

13 672 661
Certificates

IAPMO_4976

WRAS_2001

LGA_18

META Bath spout without diverter for free-standing assembly - Brushed
Chrome

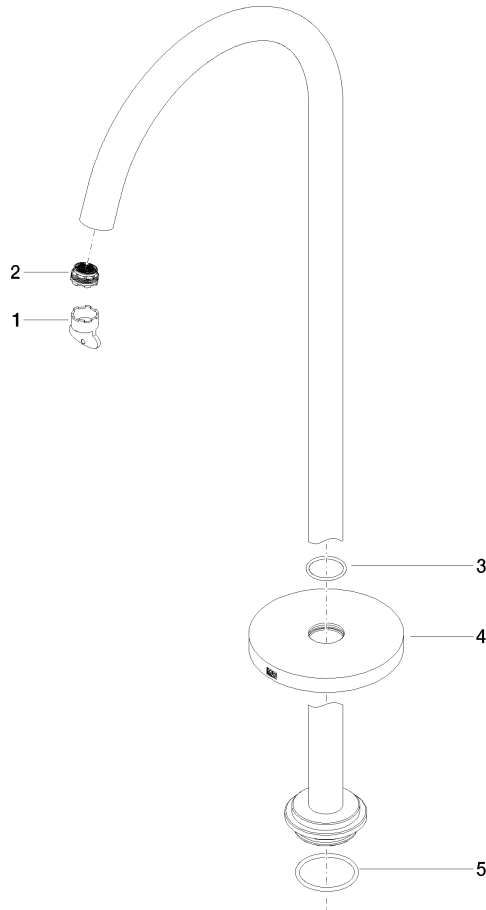
META

13 672 661

Product version up to 5/27/2021

Product version from 5/27/2021

Parts for other
finishes can be found
here: [Chrome](#)





META Bath spout without diverter for free-standing assembly - Brushed Chrome

META

13 672 661

Spare parts list

Product version up to 5/27/2021

Product version from 5/27/2021

No.	Item Number	Name	Quantity used	Delivery time
	04 30 09 027 00 90	key	5	2