



META Bath spout without diverter for free-standing assembly - Brushed Dark Platinum

META

13 672 661



- 282mm projection
- circular normal flow
- total height 811 - 881 mm
- height up to aerator 671 – 741 mm
- slide-on rosettes Ø 135 mm
- max. flow 28.6 l/min at 3 bar flow pressure
- WRAS 2001026

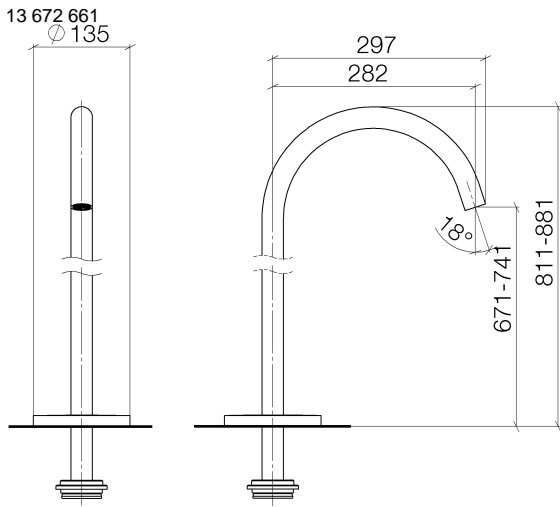
| | | |
|--|-----------------------|---------------|
| | Brushed Dark Platinum | 13 672 661-99 |
| | Chrome | 13 672 661-00 |
| | Brushed Platinum | 13 672 661-06 |
| | Dark Chrome | 13 672 661-19 |
| | Light Gold | 13 672 661-26 |
| | Brushed Light Gold | 13 672 661-27 |
| | Matte Black | 13 672 661-33 |
| | Brushed Bronze | 13 672 661-42 |
| | Brushed Chrome | 13 672 661-93 |

Required miscellaneous

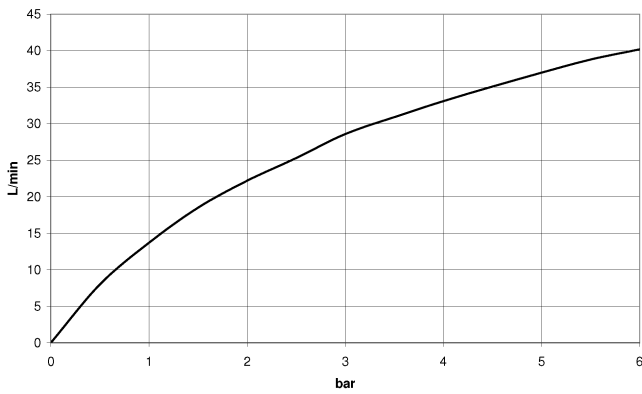


- Concealed floor mounting -**
- min. recess depth 80 mm
 - max. recess depth 150 mm

35 949 970-90
0010



Flow rate chart

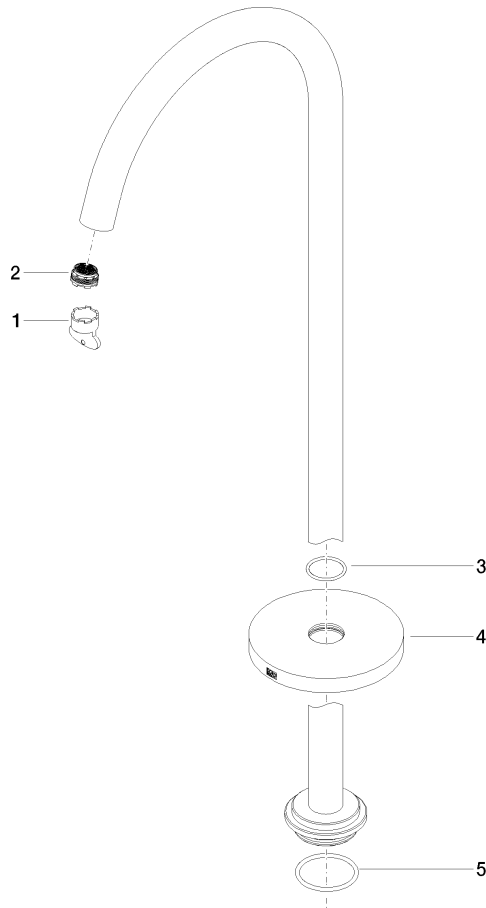


Codes & Standards

ASME
A112.18.1/CSA
B125.1

13 672 661

Product version from 5/27/2021





**META Bath spout without diverter for free-standing assembly - Brushed Dark
Platinum**

META

13 672 661

Spare parts list

Product version from 5/27/2021

| No. | Item Number | Name | Quantity used | Delivery time |
|-----|--------------------|------|---------------|---------------|
| | 04 30 09 027 00 90 | key | 5 | 2 |