






13 700 845



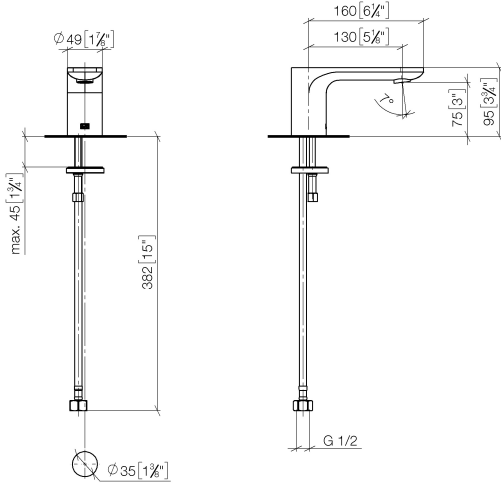
- 130mm projection
- fixed spout
- circular, air-enriched flow
- height of mixer 95 mm
- height up to aerator 75 mm
- hole diameter 35 mm
- 1/2" connection
- max. flow 5.7 l/min
- lead-free
- This product can help a building meet the requirements of Green Building Rating Systems, e.g. LEED®, BREEAM®, DGNB
- WRAS 1909064

For Touchfree control please order eSet Touchfree WITH or WITHOUT temperature adjustment

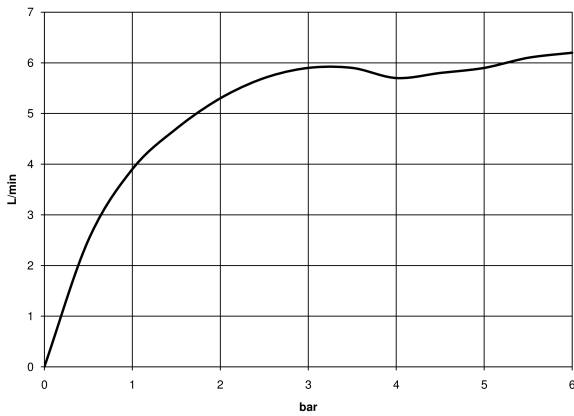
	Dark Chrome	13 700 845-19
	Chrome	13 700 845-00
	Matte Black	13 700 845-33
	Brushed Chrome	13 700 845-93
	Brushed Dark Platinum	13 700 845-99

13 700 845

mm [inches]



**Flow rate chart**



**Codes & Standards**

ASME A112.18.1/CSA B125.1	DIN 4109	ISO 3822	NSF/ANSI 372
NSF/ANSI/CAN 61	NSF372	NSF61	Ü-Zeichen



LISSÉ Deck-mounted basin spout without pop-up waste - Dark Chrome

---

LISSÉ

13 700 845

Certificates

---

IAPMO\_N-4

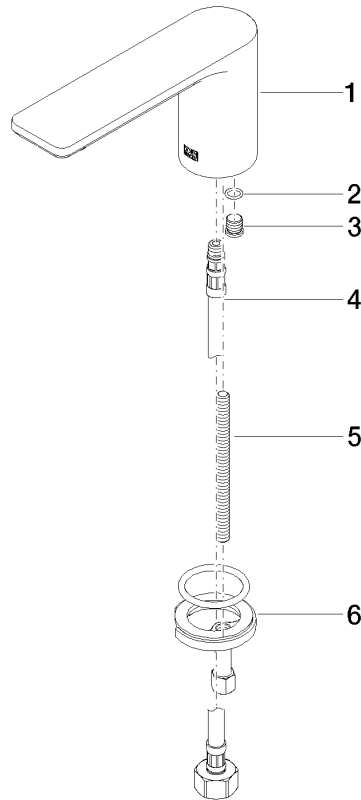
LGA\_29

IAPMO\_6

13 700 845

**Product version from 3/13/2017**

Parts for other  
finishes can be found  
here: [Chrome](#)





LISSÉ Deck-mounted basin spout without pop-up waste - Dark Chrome

LISSÉ

13 700 845

**Spare parts list**

**Product version from 3/13/2017**

No.	Item Number	Name	Quantity used	Delivery time
	90 11 84 015 00-19	spout	6	20