

13 715 782

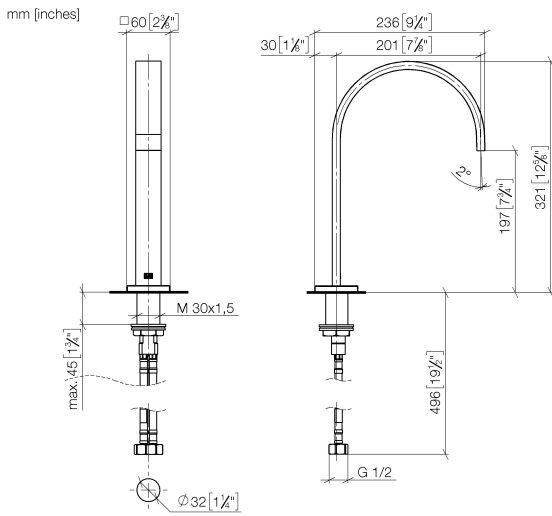


- 200mm projection
- 1 1/4" pop-up waste
- fixed spout
- rectangular, air-enriched flow
- height of mixer 321 mm
- height up to aerator 190 mm
- hole diameter 35 mm
- 2x screw-in M 10 x 1 pressure hose, leak-tested
- rosette 60 x 60 mm
- max. flow 4.5 l/min
- lead-free
- This product can help a building meet the requirements of Green Building Rating Systems, e.g. LEED®, BREEAM®, DGNB

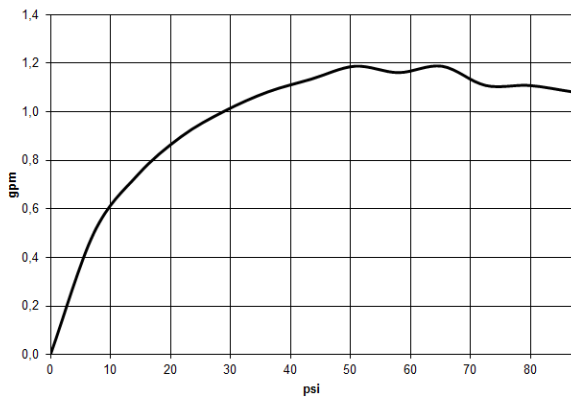
Only suitable for basins with an overflow.

| | | |
|---|--------------------------------|--------------------|
|  | Chrome | 13 715 782-00 0010 |
|  | Brushed Platinum | 13 715 782-06 0010 |
|  | Platinum | 13 715 782-08 0010 |
|  | Dark Chrome | 13 715 782-19 0010 |
|  | Brushed Durabronze (23kt Gold) | 13 715 782-28 0010 |
|  | Brushed Champagne (22kt Gold) | 13 715 782-46 0010 |
|  | Champagne (22kt Gold) | 13 715 782-47 0010 |
|  | Brushed Dark Platinum | 13 715 782-99 0010 |

13 715 782



Flow rate chart



Codes & Standards

ASME
A112.18.1/CSA
B125.1

California Energy
Commission
(CEC)

NSF/ANSI 372

NSF/ANSI/CAN
61



MEM Deck-mounted basin spout with pop-up waste - Chrome

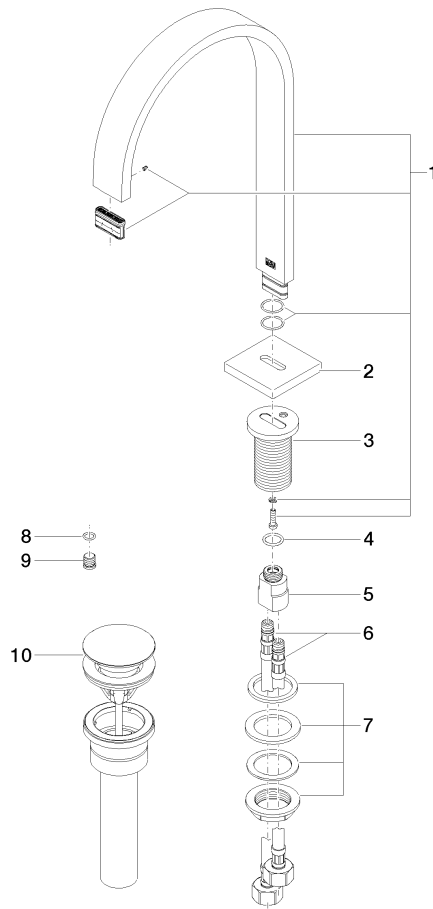
MEM

13 715 782

Certificates

IAPMO_N-4976 (2). IAPMO_6397.

13 715 782



Spare parts list

| No. | Item Number | Name | Quantity used | Delivery time |
|-----|--------------------|-----------------------------|---------------|---------------|
| 1 | 90 28 22 155 02-00 | spout | 1 | 10 |
| 2 | 09 27 78 034-00 | rosette | 1 | 10 |
| 3 | 09 11 10 054 10 90 | connection | 1 | 2 |
| 4 | 09 14 10 130 90 | seal | 1 | 2 |
| 5 | 09 11 10 055 10 90 | connection | 1 | 2 |
| 6 | 04 30 04 019 00 90 | hose | 2 | 2 |
| 7 | 04 23 10 009 01 90 | fixing set | 1 | 2 |
| 8 | 90 14 10 060 00 90 | seal | 1 | 2 |
| 9 | 09 31 20 065 90 | plug | 1 | 2 |
| 11 | 10 125 970-00 0010 | Basin Waste 1 1/4" - Chrome | 1 | 2 |