



13 716 670



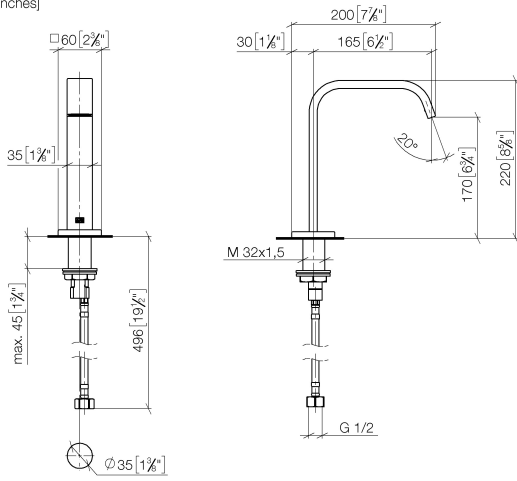
- 165mm projection
- fixed spout
- rectangular, air-enriched flow
- height of mixer 220 mm
- height up to aerator 170 mm
- hole diameter 35 mm
- rosette 60 x 60 mm
- 2x screw-in M 10 x 1 pressure hose, leak-tested
- 1/2" connection
- max. flow 4.5 l/min
- lead-free
- This product can help a building meet the requirements of Green Building Rating Systems, e.g. LEED®, BREEAM®, DGNB

For Touchfree control please order eSet Touchfree WITH or WITHOUT temperature adjustment

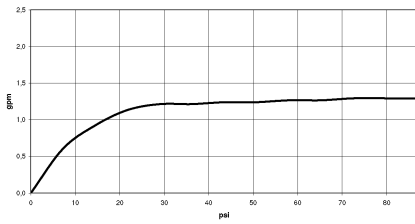
	Chrome	13 716 670-00 0010
	Brushed Chrome	13 716 670-93 0010

13 716 670

mm [inches]



Flow rate chart



Codes & Standards

ASME
A112.18.1/CSA
B125.1

California Energy
Commission
(CEC)

NSF/ANSI 372

NSF/ANSI/CAN
61



IMO Deck-mounted basin spout without pop-up waste - Chrome

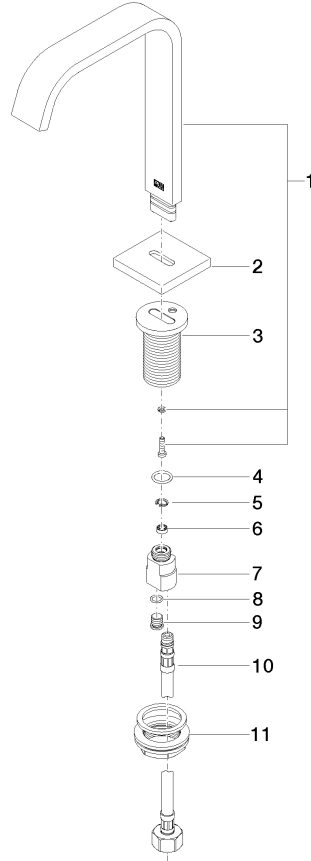
IMO

13 716 670

Certificates

IAPMO_N-4976. IAPMO_4976 (4). IAPMO_6397.

13 716 670



Spare parts list

No.	Item Number	Name	Quantity used	Delivery time
1	90 28 22 267 01-00	spout	1	10
2	09 27 78 034-00	rosette	1	10
3	09 11 10 054 10 90	connection	1	2
4	09 14 10 130 90	seal	1	2
5	09 16 01 016 90	ring	1	2
6	09 23 01 033 90	flow reducer	1	2
7	09 11 10 055 10 90	connection	1	2
8	90 14 10 060 00 90	seal	1	2
9	09 31 20 065 90	plug	1	2
10	04 30 04 019 00 90	hose	1	2
11	04 23 10 009 01 90	fixing set	1	2