

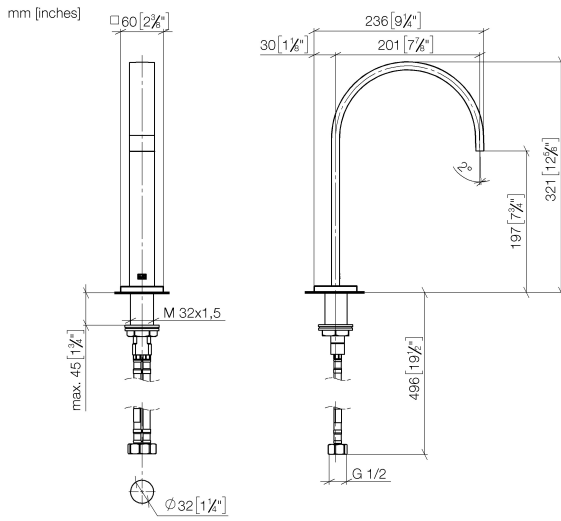
13 716 782



- 200mm projection
- fixed spout
- rectangular, air-enriched flow
- height of mixer 321 mm
- height up to aerator 190 mm
- hole diameter 35 mm
- rosette 60 x 60 mm
- 2x screw-in M 10 x 1 pressure hose, leak-tested
- 1/2" connection
- max. flow 4.5 l/min
- lead-free
- This product can help a building meet the requirements of Green Building Rating Systems, e.g. LEED®, BREEAM®, DGNB

	Chrome	13 716 782-00 0010
	Brushed Platinum	13 716 782-06 0010
	Platinum	13 716 782-08 0010
	Dark Chrome	13 716 782-19 0010
	Brushed Durabronze (23kt Gold)	13 716 782-28 0010
	Brushed Champagne (22kt Gold)	13 716 782-46 0010
	Champagne (22kt Gold)	13 716 782-47 0010
	Brushed Dark Platinum	13 716 782-99 0010

13 716 782



**Flow rate chart**



**Codes & Standards**

ASME  
A112.18.1/CSA  
B125.1

California Energy  
Commission  
(CEC)

NSF/ANSI 372

NSF/ANSI/CAN  
61



## MEM Deck-mounted basin spout without pop-up waste - Chrome

---

MEM

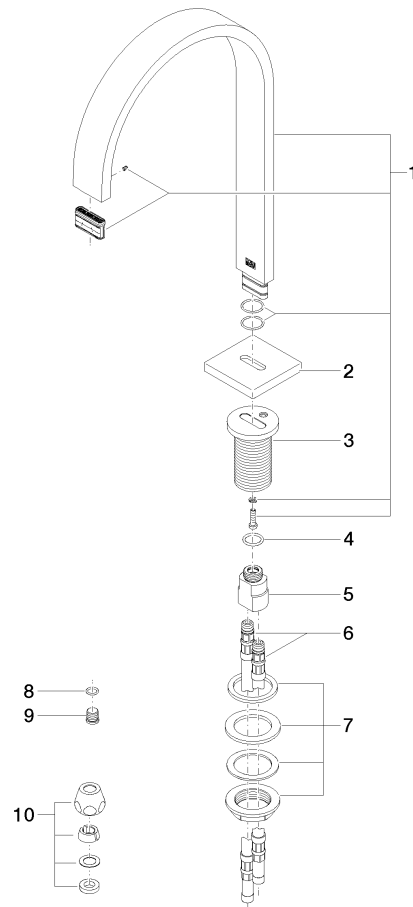
13 716 782

### Certificates

---

IAPMO\_6397.

13 716 782



Spare parts list

No.	Item Number	Name	Quantity used	Delivery time
1	90 28 22 155 02-00	spout	1	10
2	09 27 78 034-00	rosette	1	10
3	09 11 10 054 10 90	connection	1	2
4	09 14 10 130 90	seal	1	2
5	09 11 10 055 10 90	connection	1	2
6	04 30 04 016 00 90	hose	2	60
7	04 23 10 009 01 90	fixing set	1	2
8	90 14 10 060 00 90	seal	1	2
9	09 31 20 065 90	plug	1	2
10	90 23 30 040 00-00	threaded connector	2	10