




13 716 882



Fits: TARA, META

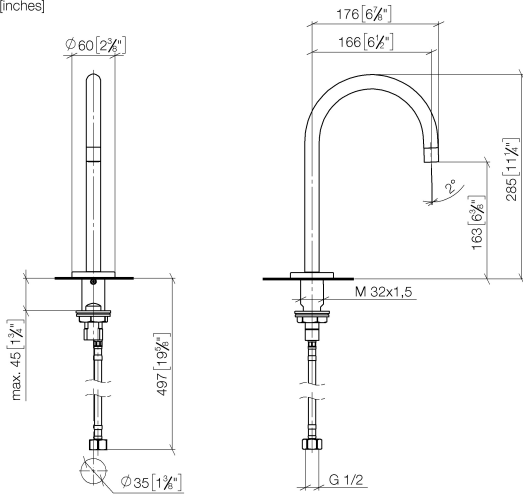
- 166mm projection
- pivotable spout 360°
- circular, air-enriched flow
- height of mixer 285 mm
- height up to aerator 163 mm
- hole diameter 35 mm
- rosette Ø 60 mm
- 2x screw-in M 10 x 1 pressure hose, leak-tested
- 1/2" connection
- max. flow 4.5 l/min
- lead-free
- This product can help a building meet the requirements of Green Building Rating Systems, e.g. LEED®, BREEAM®, DGNB

For Touchfree control please order eSet Touchfree WITH or WITHOUT temperature adjustment

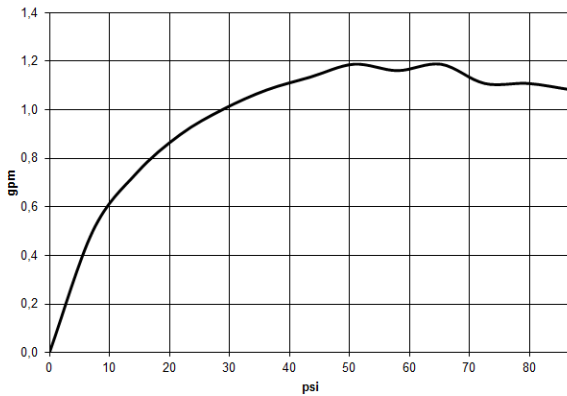
	Chrome	13 716 882-00 0010
	Brushed Bronze	13 716 882-42 0010
	Brushed Dark Platinum	13 716 882-99 0010

13 716 882

mm [inches]



Flow rate chart



Codes & Standards

ASME A112.18.1	ASME A112.18.1/CSA B125.1	California Energy Commission (CEC)	cUPC
NSF/ANSI 372	NSF/ANSI/CAN 61	NSF372	NSF61



Deck-mounted basin spout without pop-up waste - Chrome

TARA

13 716 882

Certificates

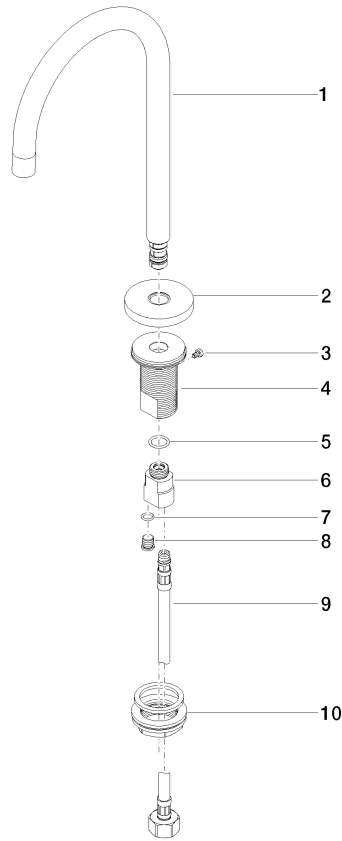
IAPMO_4976

IAPMO_N-4

IAPMO_6

13 716 882

Product version from 3/13/2017





Deck-mounted basin spout without pop-up waste - Chrome

TARA

13 716 882

Spare parts list

Product version from 3/13/2017

No.	Item Number	Name	Quantity used	Delivery time
	90 28 22 319 01-00	spout	10	10