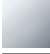



13 800 670



- 170mm projection
  - fixed spout
  - rectangular, air-enriched flow
  - hole diameter 40 mm
  - rosette 60 x 60 mm
  - 1/2" connection
  - max. flow 4.5 l/min
  - lead-free
  - This product can help a building meet the requirements of Green Building Rating Systems, e.g. LEED®, BREEAM®, DGNB
- For Touchfree control please order eSet Touchfree WITH or WITHOUT temperature adjustment**

For Touchfree control please order eSet Touchfree WITH or WITHOUT temperature adjustment

	Chrome	13 800 670-00 0010
	Brushed Chrome	13 800 670-93 0010

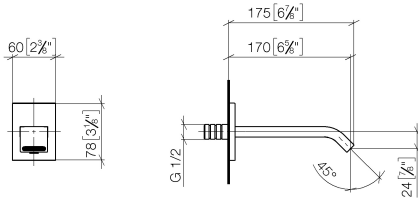
Required miscellaneous

<b>Concealed adapter -</b>	35 080 970-90 0010
----------------------------	-----------------------

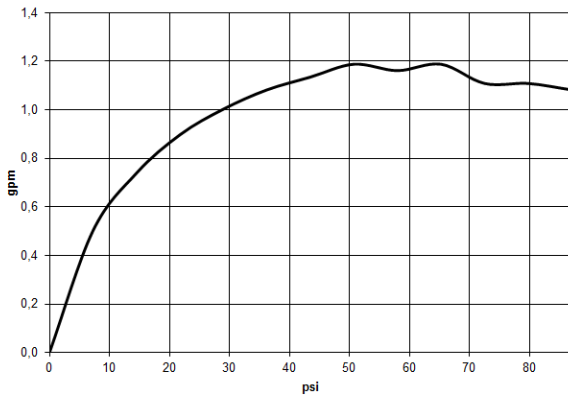


13 800 670

mm [inches]



Flow rate chart



Codes & Standards

ASME  
A112.18.1/CSA  
B125.1

California Energy  
Commission  
(CEC)

NSF/ANSI 372

NSF/ANSI/CAN  
61



## IMO Wall-mounted basin spout without pop-up waste - Chrome

---

IMO

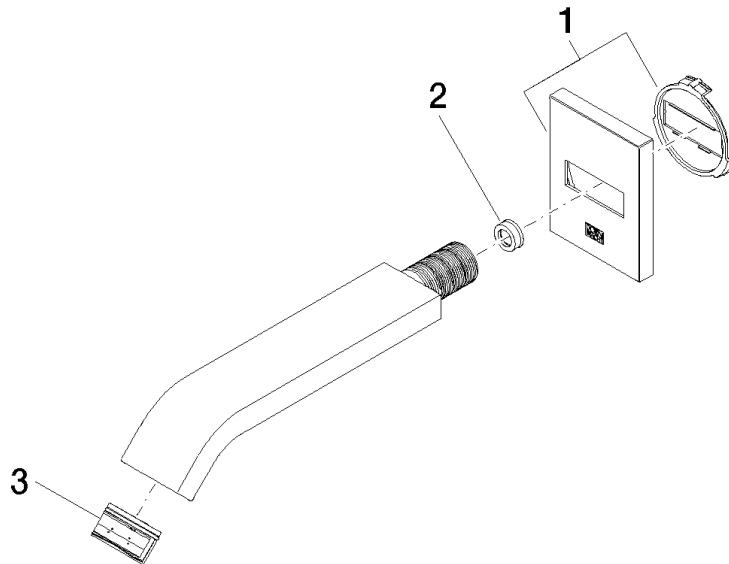
13 800 670

### Certificates

---

IAPMO\_N-4976.    IAPMO\_4976 (4).    IAPMO\_6397.

13 800 670



### Spare parts list

No.	Item Number	Name	Quantity used	Delivery time
1	90 27 67 017 00-00	rosette	1	10
2	09 23 01 079 90	flow reducer	1	2
3	90 29 03 118 00 90	aerator	1	2