

13 801 811



- 190mm projection
- rectangular, air-enriched flow
- hole diameter 37 mm
- 1/2" connection
- max. flow 23.8 l/min at 3 bar flow pressure

|   |                                   |               |
|---|-----------------------------------|---------------|
|  | Brushed Platinum                  | 13 801 811-06 |
|  | Chrome                            | 13 801 811-00 |
|  | Dark Chrome                       | 13 801 811-19 |
|  | Brushed Durabronze<br>(23kt Gold) | 13 801 811-28 |
|  | Brushed Dark<br>Platinum          | 13 801 811-99 |

**Required miscellaneous**

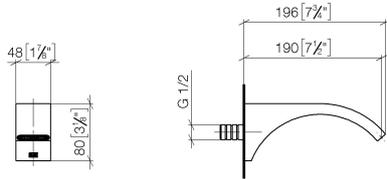
**Concealed adapter -**

35 080 970-90  
0010

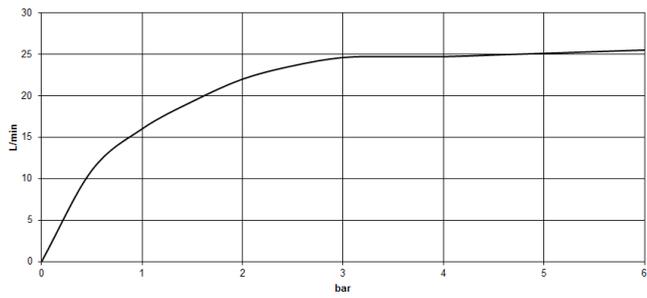


13 801 811

mm [inches]



Flow rate chart



Codes & Standards

ASME A112.18.1

cUPC

DIN 4109

ISO 3822

Ü-Zeichen



CYO Bath spout for wall mounting - Brushed Platinum

---

CYO

13 801 811

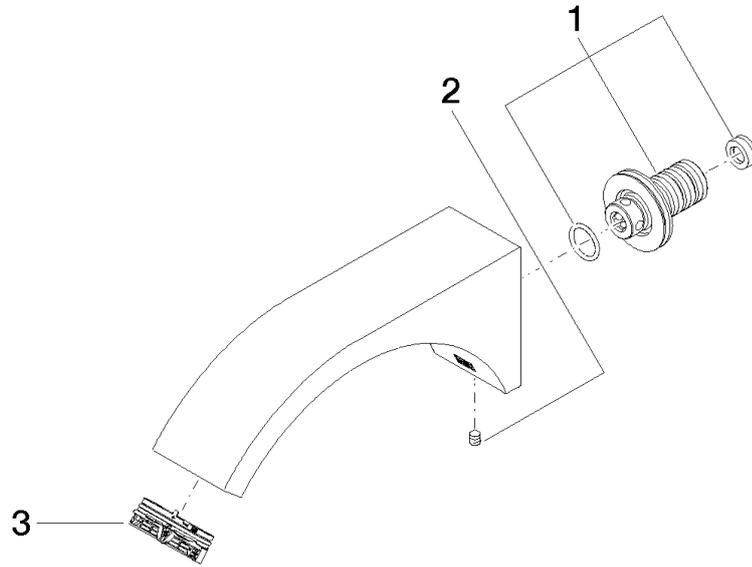
Certificates

---

IAPMO\_4976

LGA\_38

13 801 811



### Spare parts list

| No. | Item Number        | Name       | Quantity used | Delivery time |
|-----|--------------------|------------|---------------|---------------|
| 1   | 90 24 03 108 02 90 | nipple set | 1             | 2             |
| 2   | 90 31 11 004 00 90 | pin        | 1             | 2             |
| 3   | 90 29 03 121 00 90 | aerator    | 1             | 2             |