

17 500 661

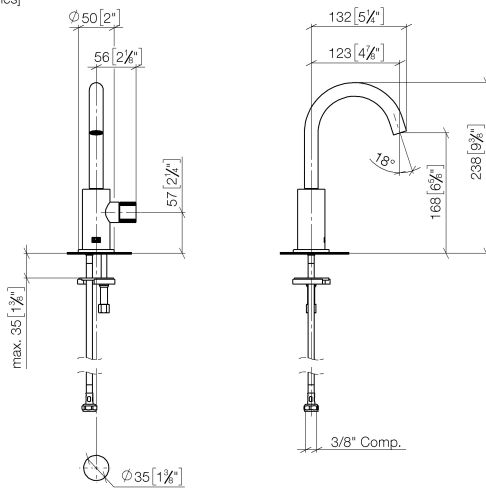


- 123mm projection
- pivotable spout 360°
- circular, air-enriched flow
- height of mixer 238 mm
- height up to aerator 168 mm
- hole diameter 35 mm
- 2 x pressure hose with 3/8" cap nut
- rosette Ø 50 mm
- max. flow 4.5 l/min
- lead-free
- This product can help a building meet the requirements of Green Building Rating Systems, e.g. LEED®, BREEAM®, DGNB

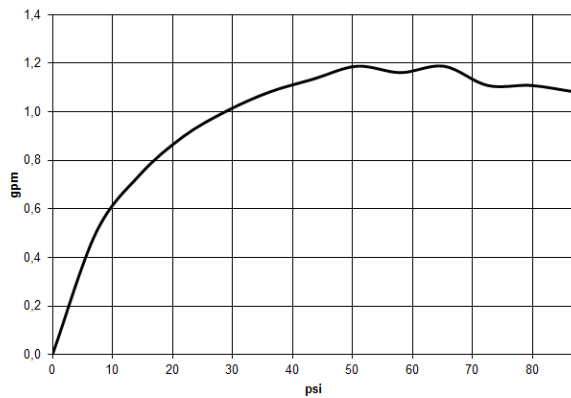
	Chrome	17 500 661-00 0010
	Brushed Platinum	17 500 661-06 0010
	Dark Chrome	17 500 661-19 0010
	Light Gold	17 500 661-26 0010
	Brushed Light Gold	17 500 661-27 0010
	Matte Black	17 500 661-33 0010
	Brushed Bronze	17 500 661-42 0010
	Brushed Champagne (22kt Gold)	17 500 661-46 0010
	Champagne (22kt Gold)	17 500 661-47 0010
	Brushed Chrome	17 500 661-93 0010
	Brushed Dark Platinum	17 500 661-99 0010

17 500 661

mm [inches]



Flow rate chart



Codes & Standards

ASME
A112.18.1/CSA
B125.1

California Energy
Commission
(CEC)

NSF/ANSI 372

NSF/ANSI/CAN
61

Water Sense





META Pillar tap cold water - Chrome

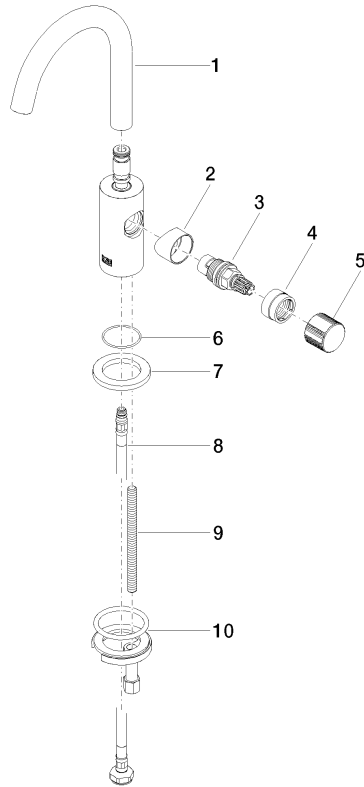
META

17 500 661

Certificates

IAPMO_4976 (5). IAPMO_N-4976. IAPMO_8834 (1). IAPMO_6397.

17 500 661



Spare parts list

No.	Item Number	Name	Quantity used	Delivery time
1	90 28 22 312 01-00	spout	1	10
2	09 18 20 221-00	base	1	-
Spare part can no longer be ordered, please order the replacement item				
3	90 90 03 131 01 90	top	1	2
4	09 24 04 533-00	nut	1	60
5	09 20 66 013-00	handle	1	10
6	09 14 10 202 90	seal	1	2
7	09 27 66 006-00	rosette	1	10
8	04 30 04 102 00 90	High pressure hose 3/8" -	1	2
9	09 31 11 012 90	pin	1	2
10	04 30 11 038 00 90	fixing set	1	2