

17 861 875



- 146mm projection
- rigid, thermally insulated spout
- laminar flow
- height of mixer 288 mm
- height up to laminar flow regulator 180 mm
- hole diameter 35 mm
- provides filtered, hot water up to 93°C
- provides filtered, cold water
- max. flow 2 l/min at 3 bar flow pressure
- ready-to-use control unit for wall mounting (137mm x 159mm x 60mm)
- electronic magnetic valve
- 100-230 V, 50-60 Hz, 18 W power supply unit, incl. country-specific adapter set
- lead-free
- one lever for cold and hot water
- Spout ring cannot be removed.
- This product can help a building meet the requirements of Green Building Rating Systems, e.g. LEED®, BREEAM®, DGNB

NOTE: Not compatible with Reverse Osmosis

A minimum flow pressure of 3 bar is necessary for the HOT & COLD WATER DISPENSER to work perfectly in conjunction with a hot water tank and filter.

In addition, the installation must be above a kitchen sink.

The filter cartridge must be changed every six months. The installation instructions contain further information for guidance.

Detailed planning information and technical data can be found at [www.dornbracht.com/professional](http://www.dornbracht.com/professional)

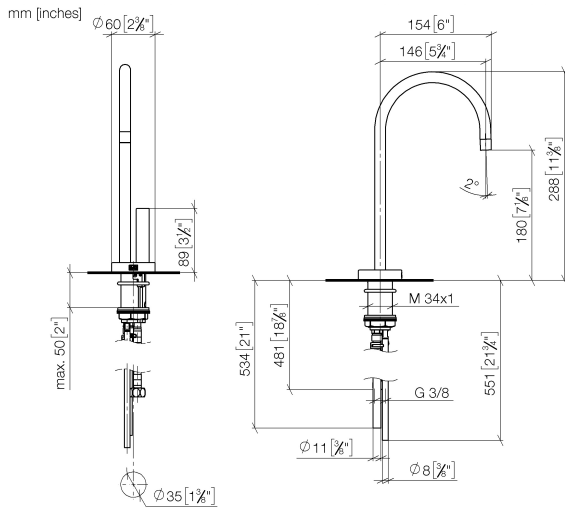
|  |                               |               |
|--|-------------------------------|---------------|
|    | Champagne (22kt Gold)         | 17 861 875-47 |
|    | Chrome                        | 17 861 875-00 |
|    | Brushed Platinum              | 17 861 875-06 |
|    | Platinum                      | 17 861 875-08 |
|    | Durabrand (23kt Gold)         | 17 861 875-09 |
|    | Dark Chrome                   | 17 861 875-19 |
|    | Brushed Durabrand (23kt Gold) | 17 861 875-28 |
|    | Matte Black                   | 17 861 875-33 |
|   | Brushed Champagne (22kt Gold) | 17 861 875-46 |
|  | Brushed Chrome                | 17 861 875-93 |
|  | Brushed Dark Platinum         | 17 861 875-99 |



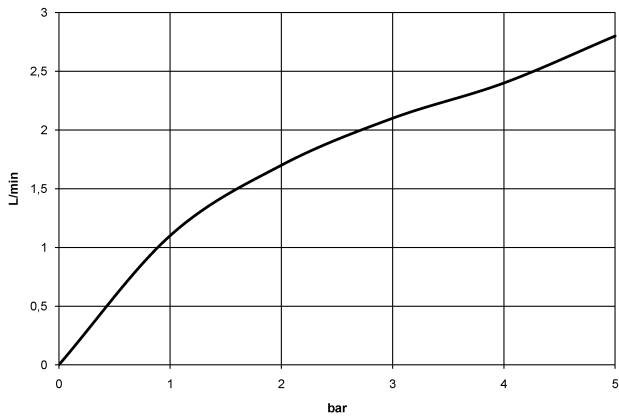
TARA ULTRA HOT & COLD WATER DISPENSER - Champagne (22kt Gold)

TARA ULTRA

17 861 875



Flow rate chart



Codes & Standards

|              |                                 |  |                             |
|--------------|---------------------------------|--|-----------------------------|
| ADA          | ASME<br>A112.18.1/CSA<br>B125.1 | California Energy<br>Commission<br>(CEC) | Executive Order<br>no. 1007 |
| NSF/ANSI 372 | NSF/ANSI/CAN<br>61              | NSF372                                   | NSF61                       |



TARA ULTRA HOT & COLD WATER DISPENSER - Champagne (22kt Gold)

TARA ULTRA

17 861 875

Certificates

GDV\_0400

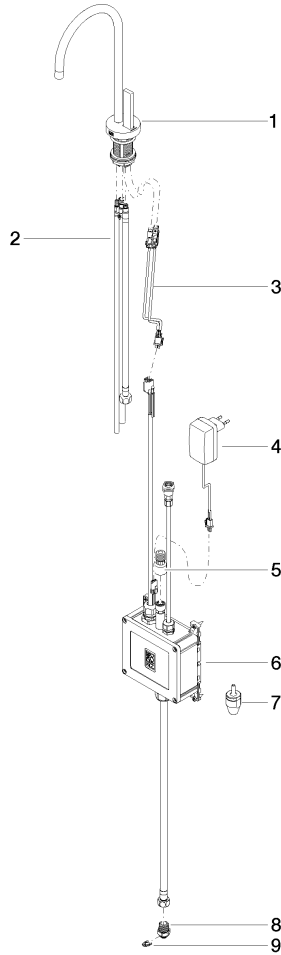
IAPMO\_N-4

IAPMO\_6

17 861 875

**Product version from 5/28/2022**

Parts for other finishes can be found here: [Chrome](#)





17 861 875

## **Spare parts list**

**Product version from 5/28/2022**