

17 872 888



- 146mm projection
- pivotable spout 360°
- laminar flow
- height of mixer 290 mm
- height up to laminar flow regulator 182 mm
- hole diameter 35 mm
- Provides filtered, cold water or filtered, chilled water (depending on your combination)
- max. flow 3.8 l/min at 3 bar flow pressure
- mechanical valve
- lead-free
- This product can help a building meet the requirements of Green Building Rating Systems, e.g. LEED®, BREEAM®, DGNB

NOTE: Not compatible with Reverse Osmosis

Compatible with standard filtration systems or chillers with ¼" compression connection.

In addition, the installation must be above a kitchen sink.

The filter cartridge must be changed every six months. The installation instructions contain further information for guidance.

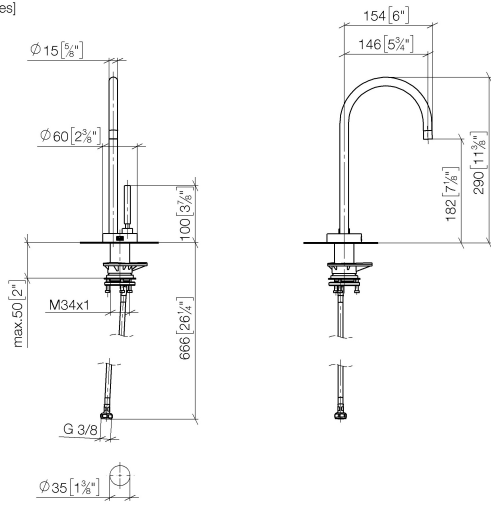
Detailed planning information and technical data can be found at www.dornbracht.com/professional

Available for delivery from the fourth quarter of 2024.

| | | |
|---|--------------------------------|---------------|
|  | Platinum | 17 872 888-08 |
|  | Chrome | 17 872 888-00 |
|  | Brushed Platinum | 17 872 888-06 |
|  | Durabronze (23kt Gold) | 17 872 888-09 |
|  | Dark Chrome | 17 872 888-19 |
|  | Brushed Durabronze (23kt Gold) | 17 872 888-28 |
|  | Matte Black | 17 872 888-33 |
|  | Brushed Champagne (22kt Gold) | 17 872 888-46 |
|  | Champagne (22kt Gold) | 17 872 888-47 |
|  | Brushed Chrome | 17 872 888-93 |
|  | Brushed Dark Platinum | 17 872 888-99 |

17 872 888

mm [inches]



17 872 888

Parts for other
finishes can be found
here: [Chrome](#)

