



19 825 809



- 241mm projection
- pivotable spout 360°
- air-enriched flow
- max. flow 5.7 l/min at 3 bar flow pressure
- lead-free
- This product can help a building meet the requirements of Green Building Rating Systems, e.g. LEED®, BREEAM®, DGNB

| | | |
|---|--------------------------------|--------------------|
|  | Brushed Platinum | 19 825 809-06 0010 |
|  | Chrome | 19 825 809-00 0010 |
|  | Platinum | 19 825 809-08 0010 |
|  | Durabronze (23kt Gold) | 19 825 809-09 0010 |
|  | Dark Chrome | 19 825 809-19 0010 |
|  | Brushed Durabronze (23kt Gold) | 19 825 809-28 0010 |
|  | Matte Black | 19 825 809-33 0010 |
|  | Brushed Champagne (22kt Gold) | 19 825 809-46 0010 |
|  | Champagne (22kt Gold) | 19 825 809-47 0010 |
|  | Brushed Chrome | 19 825 809-93 0010 |
|  | Brushed Dark Platinum | 19 825 809-99 0010 |

Recommended miscellaneous

VAIA Dispenser with rosette - 82 434 809-06
Brushed Platinum



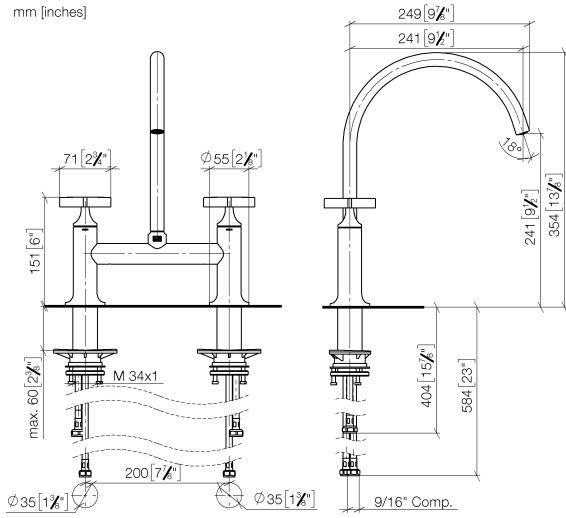
Recommended miscellaneous

VAIA AIR SWITCH Control button - 10 713 809-06
Brushed Platinum

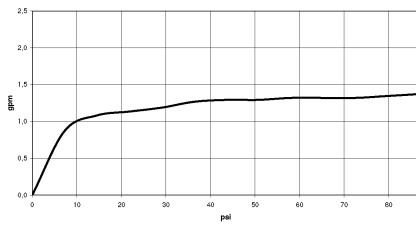


19 825 809

mm [inches]



Flow rate chart

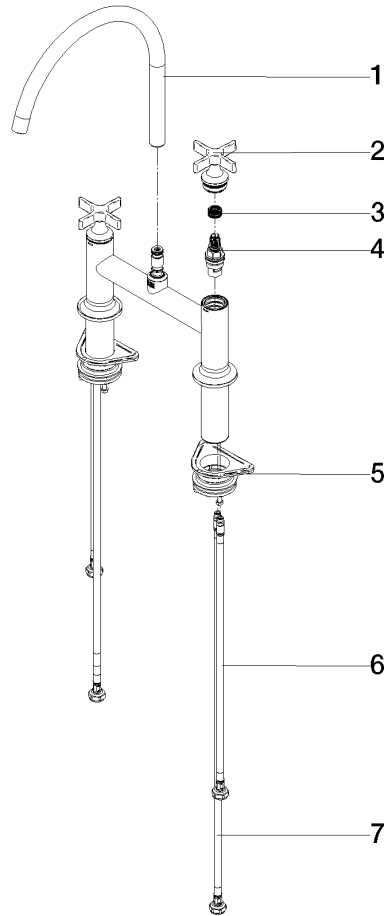


Codes & Standards

California Energy
Commission
(CEC)

19 825 809

Parts for other finishes can be found here: [Chrome](#)



Spare parts list

| No. | Item Number | Name | Quantity used | Delivery time |
|--|--------------------|------------|---------------|---------------|
| 1 | 90 28 22 396 01-06 | spout | 1 | - |
| Spare part can no longer be ordered, please order the replacement item | | | | |
| 2 | 90 20 80 036 00-06 | handle | 2 | - |
| Spare part can no longer be ordered, please order the replacement item | | | | |
| 3 | 90 12 12 232 00 90 | fixing cap | 2 | 2 |
| 4 | 90 90 03 131 00 90 | top | 2 | 2 |
| 5 | 04 30 11 040 00 90 | fixing set | 2 | 2 |
| 6 | 04 30 04 100 00 90 | hose | 2 | 2 |
| 7 | 04 30 04 103 00 90 | hose | 2 | 2 |