

19 875 809



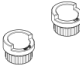
- 240mm projection
- pivotable spout 360°
- Optional swivel limiter available with swivel limiter set 12 823 970 90
- air-enriched flow and spray flow
- height of mixer 393 mm
- height up to laminar flow regulator 204 mm
- hole diameter 35 mm
- 2 x pressure hose with 3/8" cap nut
- 1800 mm metal shower hose
- sprayface with anti-scaling system
- max. flow 5.7 l/min at 3 bar flow pressure
- lead-free
- This product can help a building meet the requirements of Green Building Rating Systems, e.g. LEED®, BREEAM®, DGNB

Intrinsic protection against back flow.

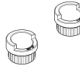
Switch back and forth between aerator and spray mode while water is running.

	Chrome	19 875 809-00 0010
	Brushed Platinum	19 875 809-06 0010
	Platinum	19 875 809-08 0010
	Durabrace (23kt Gold)	19 875 809-09 0010
	Dark Chrome	19 875 809-19 0010
	Brushed Durabrace (23kt Gold)	19 875 809-28 0010
	Matte Black	19 875 809-33 0010
	Brushed Champagne (22kt Gold)	19 875 809-46 0010
	Champagne (22kt Gold)	19 875 809-47 0010
	Brushed Chrome	19 875 809-93 0010
	Brushed Dark Platinum	19 875 809-99 0010


**Recommended miscellaneous**

	<b>Swivel limitation set -</b>	12 823 970 90
---	--------------------------------	---------------

**Recommended miscellaneous**

	<b>Swivel limitation set -</b>	12 823 970 90
---	--------------------------------	---------------

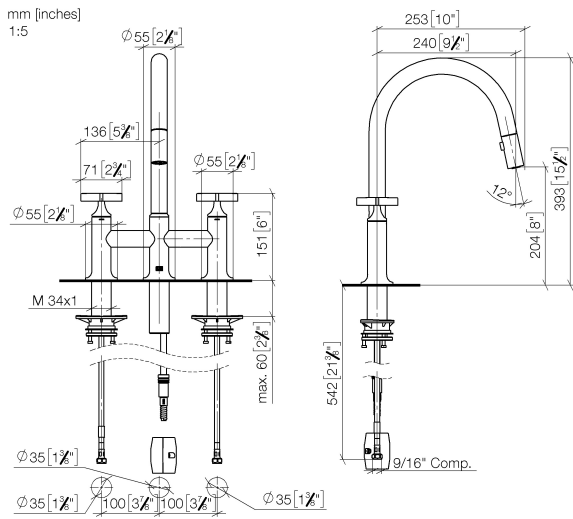
**Recommended miscellaneous**

	<b>VAIA Dispenser with rosette - Chrome</b>	82 434 809-00
---	---	---------------

**Recommended miscellaneous**

	<b>VAIA AIR SWITCH Control button - Chrome</b>	10 713 809-00
---	--	---------------

19 875 809



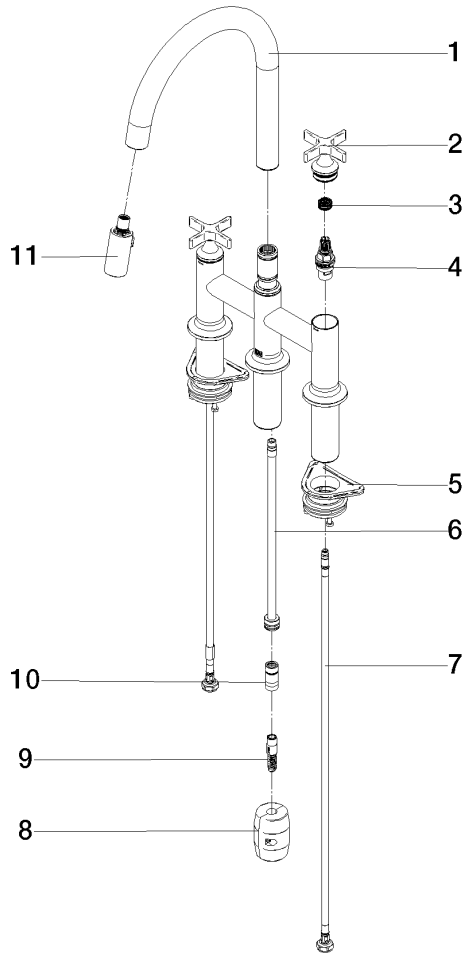
**Flow rate chart**



**Codes & Standards**

California Energy  
Commission  
(CEC)

19 875 809



**Spare parts list**

No.	Item Number	Name	Quantity used	Delivery time
1	90 28 22 397 00-00	spout	1	10
2	90 20 80 036 00-00	handle	2	-
Spare part can no longer be ordered, please order the replacement item				
3	90 12 12 232 00 90	fixing cap	2	2
4	90 90 03 131 00 90	top	2	2
5	04 30 11 040 00 90	fixing set	2	2
6	04 28 20 067 00 90	pipe	1	2
7	04 30 04 103 00 90	hose	2	2
8	04 21 50 010 00 90	accessories	1	2
9	04 30 02 120 00-00	hose	1	10
10	90 24 03 253 01 90	adaptor	1	2
11	90 18 40 317 00-00	shower	1	10