

20 000 809

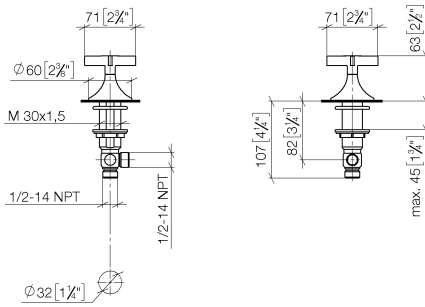


- hole diameter 32 mm
- rosette Ø 60 mm
- with cold marking
- WRAS 2310004

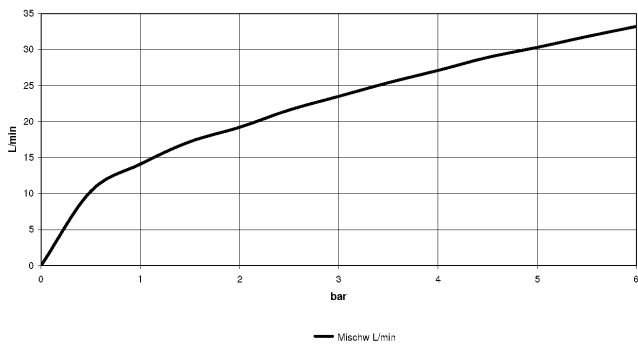
	Chrome	20 000 809-00
	Brushed Platinum	20 000 809-06
	Platinum	20 000 809-08
	Dark Chrome	20 000 809-19
	Brushed Durabronze (23kt Gold)	20 000 809-28
	Brushed Bronze	20 000 809-42
	Brushed Champagne (22kt Gold)	20 000 809-46
	Champagne (22kt Gold)	20 000 809-47
	Brushed Dark Platinum	20 000 809-99

20 000 809

mm [inches]



Flow rate chart



Codes & Standards

ADA

ASME
A112.18.1/CSA
B125.1



VAIA Deck valve clockwise closing cold - Chrome

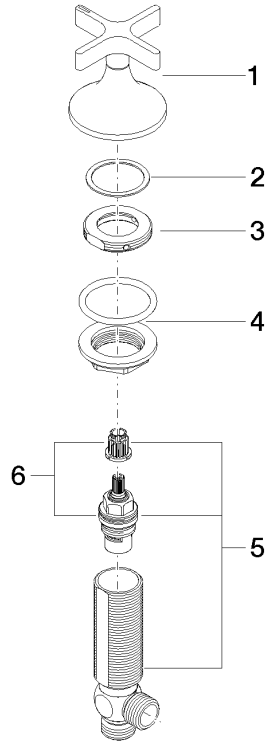
VAIA

20 000 809

Certificates

WRAS_2310004. LGA_29291. IAPMO_4976 (4).

20 000 809



Spare parts list

No.	Item Number	Name	Quantity used	Delivery time
1	90 20 80 010 00-00	handle (cold)	1	10
2	09 28 10 003 90	ring	1	2
3	09 24 01 028 90	ring	1	2
4	04 23 10 032 46 90	fixing set	1	2
5	04 17 11 055 31 90	side panel	1	2
6	90 90 03 131 00 90	top	1	2