



Deck valve anti-clockwise closing cold - Brushed Dark Platinum

CL.1

20 004 716



Fits: CL.1, CYO



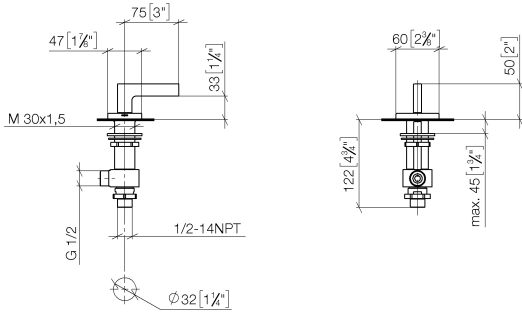
Deck valve anti-clockwise closing cold - Brushed Dark Platinum

CL.1

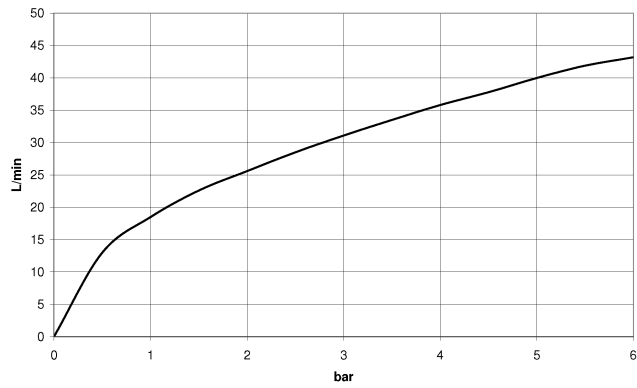
20 004 716

20 004 716

mm [inches]



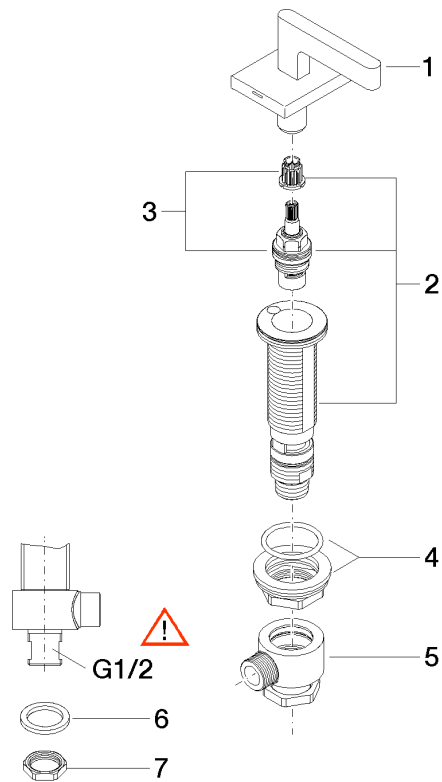
Flow rate chart



Certificates

IAPMO_N-4976. LGA_28687. IAPMO_4976 (4). IAPMO_6397.

20 004 716



Spare parts list

No.	Item Number	Name	Quantity used	Delivery time
1	90 20 70 057 03-99	handle (cold)	1	30
2	04 17 11 058 52 90	side panel	1	2
3	90 90 03 152 00 90	top	1	2
4	04 23 10 032 78 90	fixing set	1	2
5	04 17 11 023 10 90	distributor	1	2
6	09 30 11 059 90	disc	1	2
7	09 23 10 012 90	nut	1	2