


**VAIA Three-hole basin mixer with pop-up waste - Brushed Durabrass (23kt Gold)**

VAIA

20 705 819



- 165mm projection
  - 1 1/4" pop-up waste
  - pivotable spout 360°
  - circular, air-enriched flow
  - height of mixer 144 mm
  - height up to aerator 90 mm
  - hole diameter valve 32 mm
  - hole diameter spout 35 mm
  - rosette Ø 60 mm
  - max. flow 4.5 l/min
  - lead-free
  - This product can help a building meet the requirements of Green Building Rating Systems, e.g. LEED®, BREEAM®, DGNB
- Only suitable for basins with an overflow.

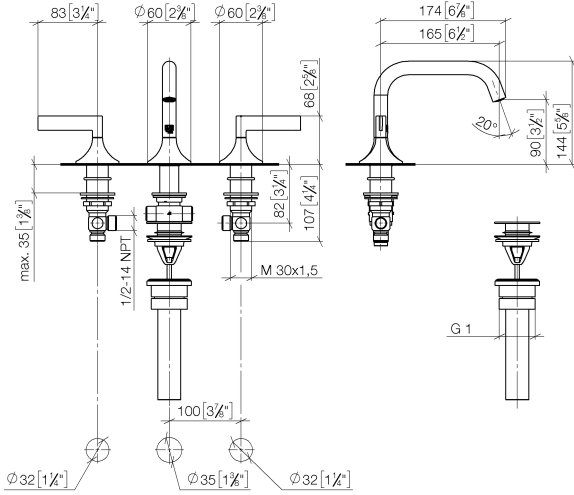
	Brushed Durabrass (23kt Gold)	20 705 819-28 0010
	Chrome	20 705 819-00 0010
	Brushed Platinum	20 705 819-06 0010
	Platinum	20 705 819-08 0010
	Brushed Bronze	20 705 819-42 0010
	Brushed Champagne (22kt Gold)	20 705 819-46 0010
	Champagne (22kt Gold)	20 705 819-47 0010
	Brushed Dark Platinum	20 705 819-99 0010



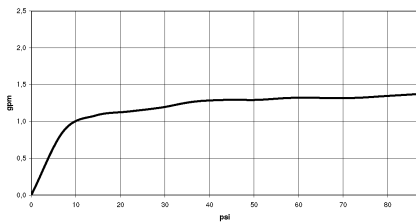
# VAIA Three-hole basin mixer with pop-up waste - Brushed Durabronz (23kt Gold)

VAIA

20 705 819  
mm [inches]



## Flow rate chart

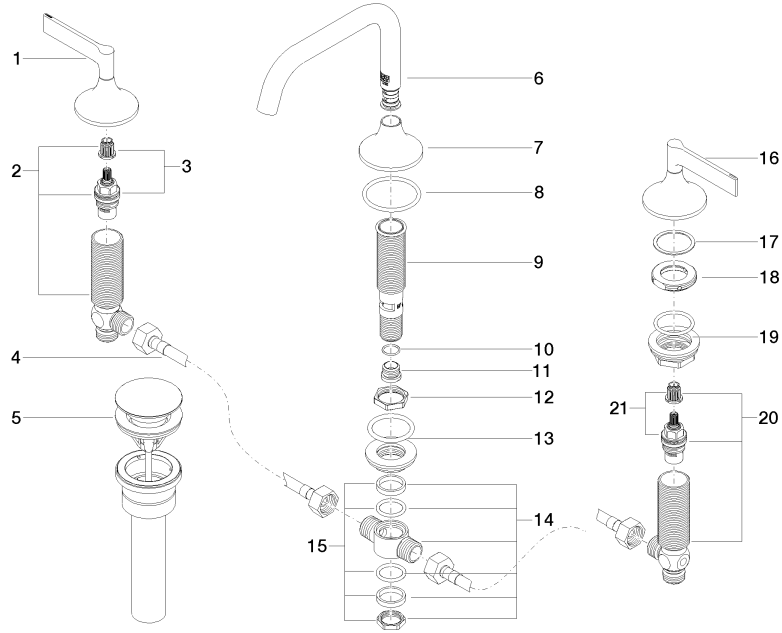


## Codes & Standards

California Energy  
Commission  
(CEC)

20 705 819

Parts for other finishes can be found here: [Chrome](#)





VAIA Three-hole basin mixer with pop-up waste - Brushed Durabronz (23kt Gold)

VAIA

20 705 819

**Spare parts list**

No.	Item Number	Name	Quantity used	Delivery time
	90 20 80 013 00-28	handle ( hot )	25	20