

20 705 819



- 165mm projection
- 1 1/4" pop-up waste
- pivotable spout 360°
- circular, air-enriched flow
- height of mixer 144 mm
- height up to aerator 90 mm
- hole diameter valve 32 mm
- hole diameter spout 35 mm
- rosette Ø 60 mm
- max. flow 4.5 l/min
- lead-free
- This product can help a building meet the requirements of Green Building Rating Systems, e.g. LEED®, BREEAM®, DGNB

Only suitable for basins with an overflow.

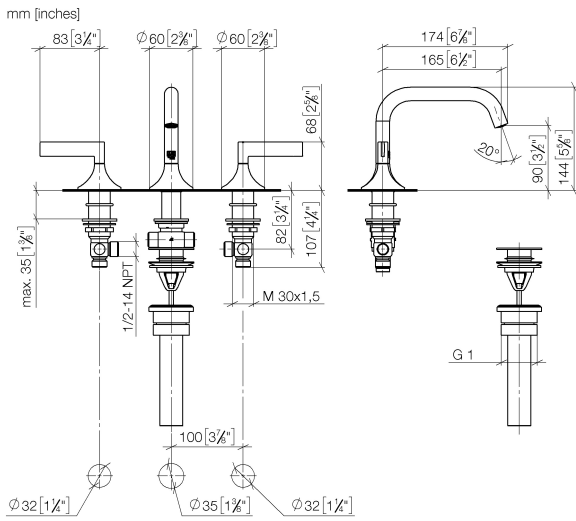
	Brushed Dark Platinum	20 705 819-99 0010
	Chrome	20 705 819-00 0010
	Brushed Platinum	20 705 819-06 0010
	Platinum	20 705 819-08 0010
	Brushed Durabronze (23kt Gold)	20 705 819-28 0010
	Brushed Bronze	20 705 819-42 0010
	Brushed Champagne (22kt Gold)	20 705 819-46 0010
	Champagne (22kt Gold)	20 705 819-47 0010



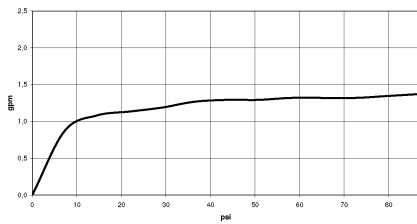
VAIA Three-hole basin mixer with pop-up waste - Brushed Dark Platinum

VAIA

20 705 819



Flow rate chart

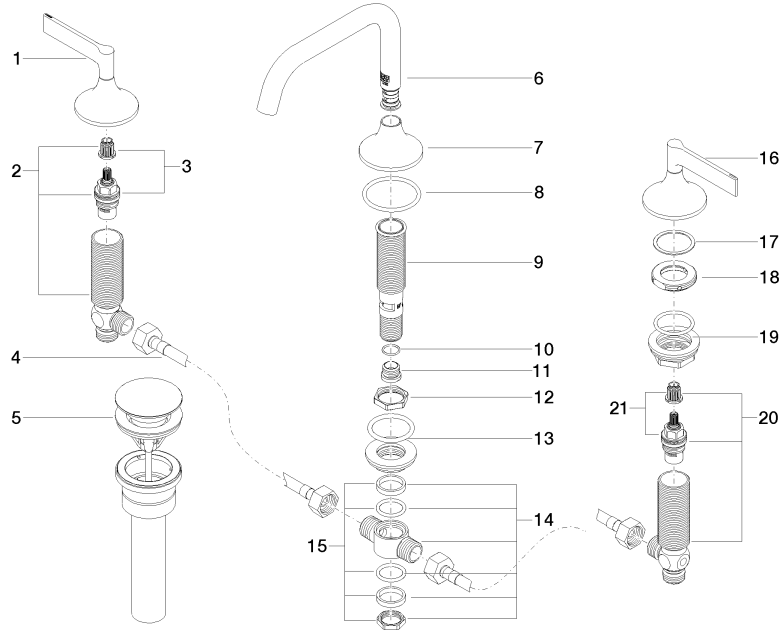


Codes & Standards

California Energy
Commission
(CEC)

20 705 819

Parts for other finishes can be found here: [Chrome](#)





VAIA Three-hole basin mixer with pop-up waste - Brushed Dark Platinum

VAIA

20 705 819

Spare parts list

No.	Item Number	Name	Quantity used	Delivery time
	90 20 80 013 00-99	handle (hot)	25	30