

**CYO Three-hole basin mixer with pop-up waste without design element -
Chrome**







CYO

20 710 811



- 133mm projection
- 1 1/4" pop-up waste
- fixed spout
- rectangular, air-enriched flow
- height of mixer 180 mm
- height up to aerator 128 mm
- hole diameter spout 35 mm
- hole diameter valve 32 mm
- handle Ø 60mm
- max. flow 4.5 l/min
- lead-free
- This product can help a building meet the requirements of Green Building Rating Systems, e.g. LEED®, BREEAM®, DGNB

NOTE: The handle inserts must be ordered separately from the fittings!

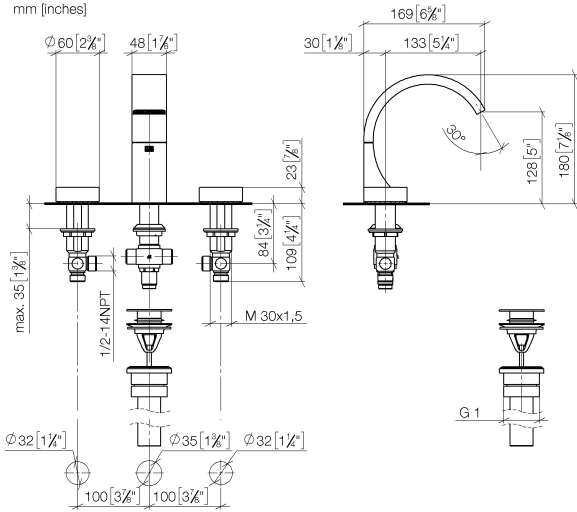
	Chrome	20 710 811-00 0010
	Brushed Platinum	20 710 811-06 0010
	Dark Chrome	20 710 811-19 0010
	Brushed Durabress (23kt Gold)	20 710 811-28 0010
	Platinum / Brushed Platinum	20 710 811-36 0010
	Durabress / Brushed Durabress (23kt Gold)	20 710 811-38 0010
	Brushed Dark Platinum	20 710 811-99 0010



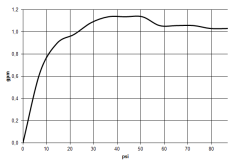
CYO Three-hole basin mixer with pop-up waste without design element - Chrome

CYO


20 710 811
mm [inches]



Flow rate chart



Codes & Standards

ASME A112.18.1	California Energy Commission (CEC)	cUPC	EPA WaterSense
NSF372	NSF61	Water Sense	WaterSense 



CYO Three-hole basin mixer with pop-up waste without design element -
Chrome

CYO

20 710 811

Certificates

IAPMO_4976

IAPMO_8834

IAPMO_N-4

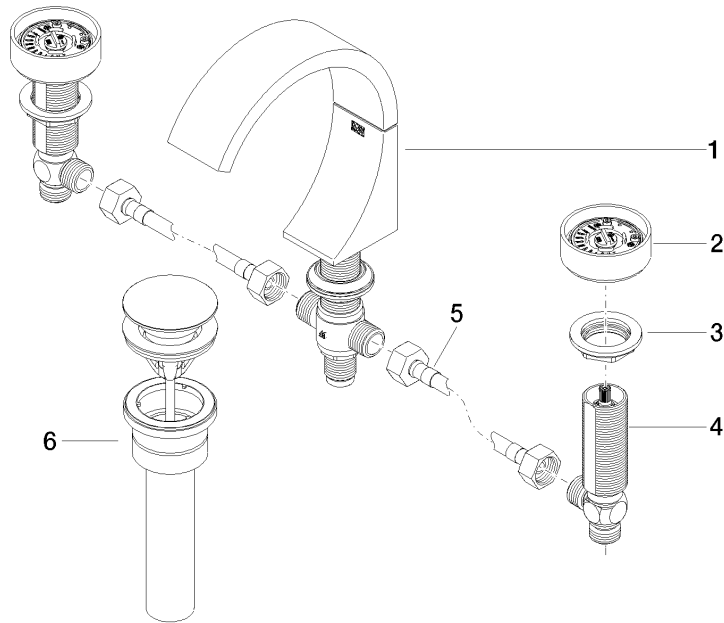
IAPMO_6

CYO Three-hole basin mixer with pop-up waste without design element -
Chrome

CYO

20 710 811

Parts for other
finishes can be found
here: Brushed
Platinum





CYO Three-hole basin mixer with pop-up waste without design element -
Chrome

CYO

20 710 811

Spare parts list

No.	Item Number	Name	Quantity used	Delivery time
	13 715 811-00	CYO Deck-mounted basin spout without pop-up waste - Chrome	10	10