

20 710 882



- 135mm projection
- 1 1/4" pop-up waste
- pivotable spout 360°
- circular, air-enriched flow
- height of mixer 270 mm
- height up to aerator 161 mm
- hole diameter valve 32 mm
- hole diameter spout 35 mm
- rosette Ø 55 mm
- 2x screw-in M 10 x 1 pressure hose, leak-tested
- max. flow 4.5 l/min
- lead-free
- This product can help a building meet the requirements of Green Building Rating Systems, e.g. LEED®, BREEAM®, DGNB

Only suitable for basins with an overflow.

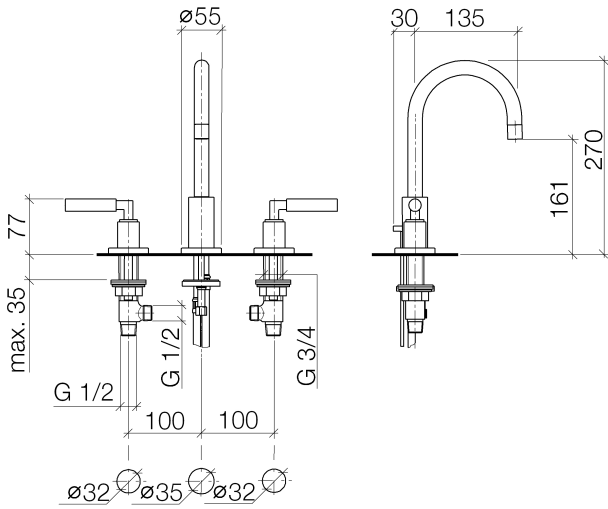
	Chrome	20 710 882-00 0010
	Brushed Platinum	20 710 882-06 0010
	Platinum	20 710 882-08 0010
	Dark Chrome	20 710 882-19 0010
	Brushed Durabronze (23kt Gold)	20 710 882-28 0010
	Matte Black	20 710 882-33 0010
	Brushed Bronze	20 710 882-42 0010
	Brushed Champagne (22kt Gold)	20 710 882-46 0010
	Champagne (22kt Gold)	20 710 882-47 0010
	Brushed Chrome	20 710 882-93 0010
	Brushed Dark Platinum	20 710 882-99 0010



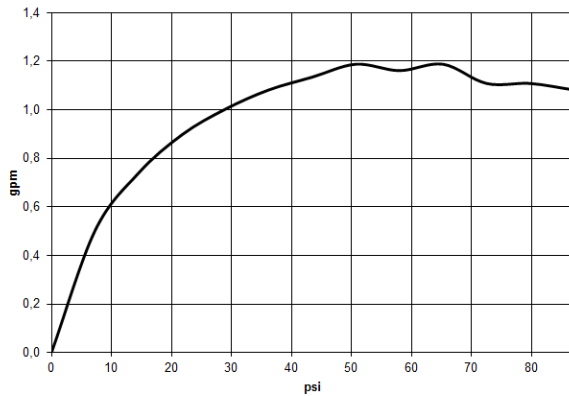
TARA Three-hole basin mixer with pop-up waste - Chrome

TARA


20 710 882



Flow rate chart



Codes & Standards

ADA	ASME A112.18.1	ASME A112.18.1/CSA B125.1	California Energy Commission (CEC)
cUPC	EPA WaterSense	NSF/ANSI 372	NSF/ANSI/CAN 61
NSF372	NSF61	Water Sense	WaterSense 



TARA Three-hole basin mixer with pop-up waste - Chrome

TARA

20 710 882

Certificates

IAPMO_4976

IAPMO_N-4

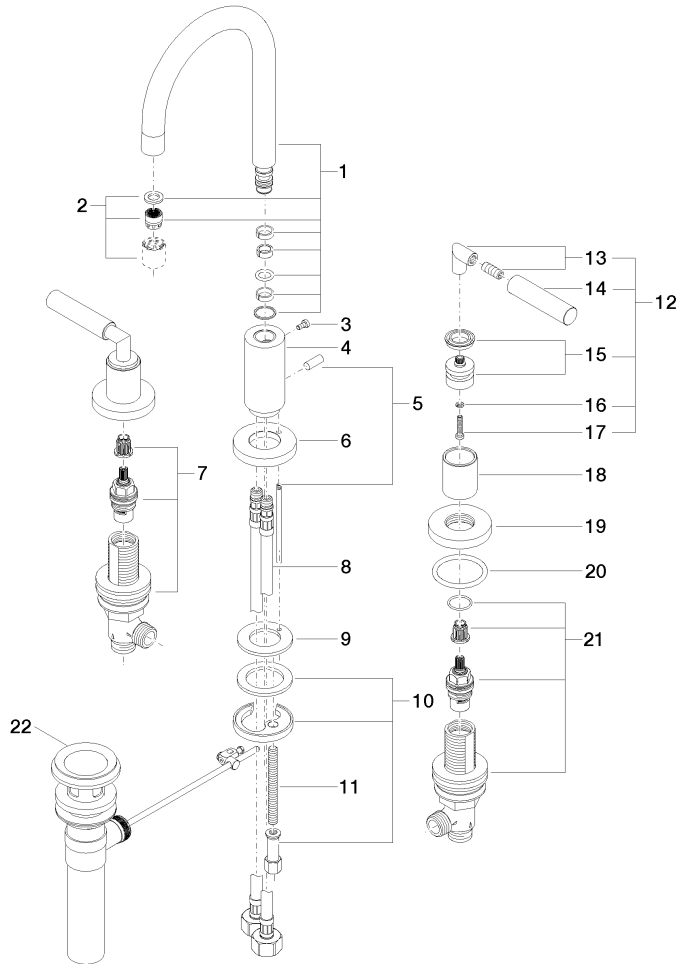
IAPMO_8834

IAPMO_6

20 710 882

Product version from 6/30/2009 to 6/25/2021

Product version from 6/25/2021





TARA Three-hole basin mixer with pop-up waste - Chrome

TARA

20 710 882

Spare parts list

Product version from 6/30/2009 to 6/25/2021

Product version from 6/25/2021

No.	Item Number	Name	Quantity used	Delivery time
	90 28 22 217 02-00	spout	32	10