

20 710 892

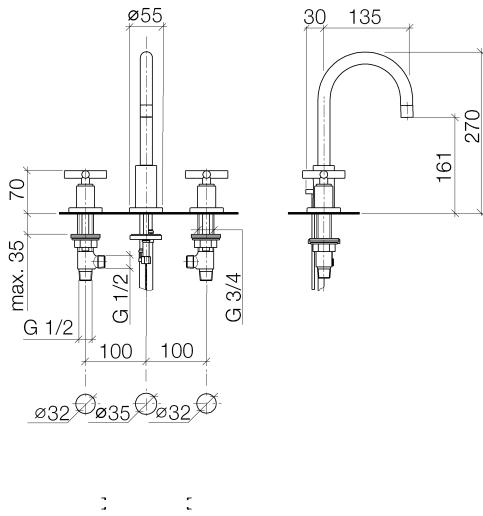


- 135mm projection
- 1 1/4" pop-up waste
- pivotable spout 360°
- circular, air-enriched flow
- height of mixer 270 mm
- height up to aerator 161 mm
- hole diameter valve 32 mm
- hole diameter spout 35 mm
- rosette Ø 55 mm
- 2x screw-in M 10 x 1 pressure hose, leak-tested
- max. flow 4.5 l/min
- lead-free
- This product can help a building meet the requirements of Green Building Rating Systems, e.g. LEED®, BREEAM®, DGNB

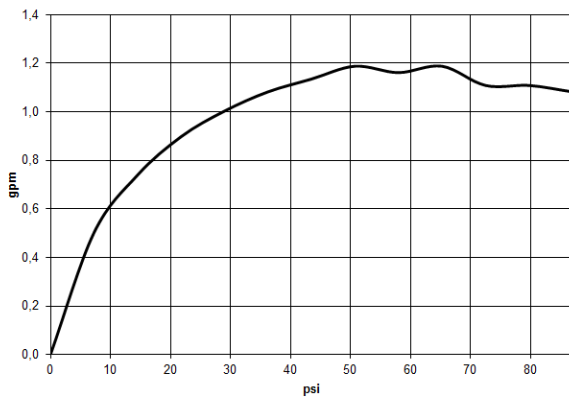
Only suitable for basins with an overflow.

	Chrome	20 710 892-00 0010
	Brushed Platinum	20 710 892-06 0010
	Platinum	20 710 892-08 0010
	Dark Chrome	20 710 892-19 0010
	Brushed Durabronze (23kt Gold)	20 710 892-28 0010
	Matte Black	20 710 892-33 0010
	Brushed Champagne (22kt Gold)	20 710 892-46 0010
	Champagne (22kt Gold)	20 710 892-47 0010
	Brushed Chrome	20 710 892-93 0010
	Brushed Dark Platinum	20 710 892-99 0010

20 710 892



Flow rate chart



Codes & Standards

ADA

ASME  
A112.18.1/CSA  
B125.1

California Energy  
Commission  
(CEC)

NSF/ANSI 372

NSF/ANSI/CAN  
61

Water Sense





## TARA Three-hole basin mixer with pop-up waste - Chrome

---

TARA

20 710 892

### Certificates

---

IAPMO\_N-4976.    IAPMO\_8834 (1).    IAPMO\_4976 (6).    IAPMO\_6397.

20 710 892

