

20 713 661



- 168mm projection
- 1 1/4" pop-up waste
- pivotable spout 360°
- circular, air-enriched flow
- height of mixer 280 mm
- height up to aerator 191 mm
- hole diameter valve 32 mm
- hole diameter spout 35 mm
- rosette Ø 60 mm
- 2x screw-in M 8 x 1 pressure hose, leak-tested
- max. flow 4.5 l/min
- lead-free
- This product can help a building meet the requirements of Green Building Rating Systems, e.g. LEED®, BREEAM®, DGNB

Only suitable for basins with an overflow.

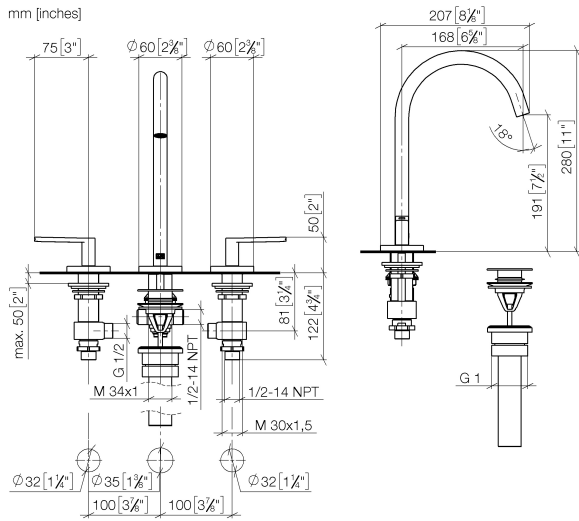
	Chrome	20 713 661-00 0010
	Brushed Platinum	20 713 661-06 0010
	Dark Chrome	20 713 661-19 0010
	Light Gold	20 713 661-26 0010
	Brushed Light Gold	20 713 661-27 0010
	Matte Black	20 713 661-33 0010
	Brushed Bronze	20 713 661-42 0010
	Brushed Champagne (22kt Gold)	20 713 661-46 0010
	Champagne (22kt Gold)	20 713 661-47 0010
	Brushed Chrome	20 713 661-93 0010
	Brushed Dark Platinum	20 713 661-99 0010



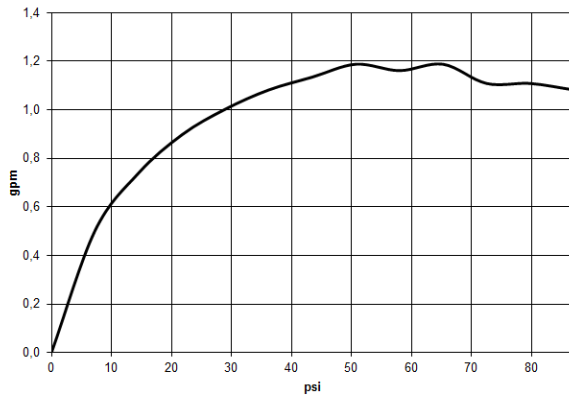
# META Three-hole basin mixer with pop-up waste - Chrome

META


20 713 661



## Flow rate chart



## Codes & Standards

ADA	ASME A112.18.1	ASME A112.18.1/CSA B125.1	California Energy Commission (CEC)
cUPC	EPA WaterSense	NSF/ANSI 372	NSF/ANSI/CAN 61
NSF372	NSF61	Water Sense	WaterSense 



META Three-hole basin mixer with pop-up waste - Chrome

META

20 713 661

Certificates

IAPMO\_4976

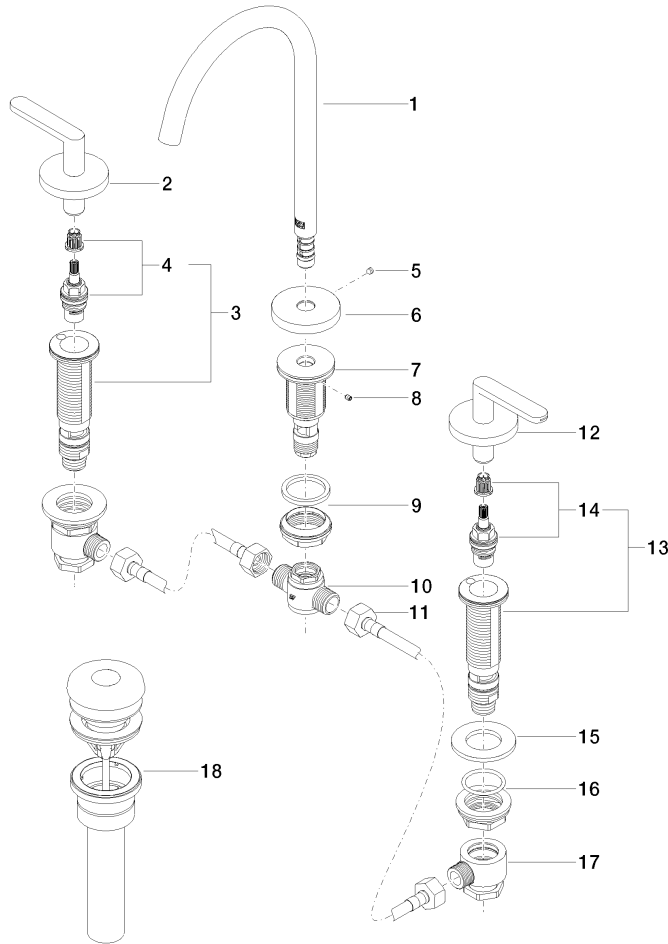
IAPMO\_8834

IAPMO\_N-4

IAPMO\_6

20 713 661

Product version from 7/1/2023





**META Three-hole basin mixer with pop-up waste - Chrome**

META

20 713 661

**Spare parts list**

**Product version from 7/1/2023**

No.	Item Number	Name	Quantity used	Delivery time
	90 28 22 325 01-00	spout	22	10