



20 713 710

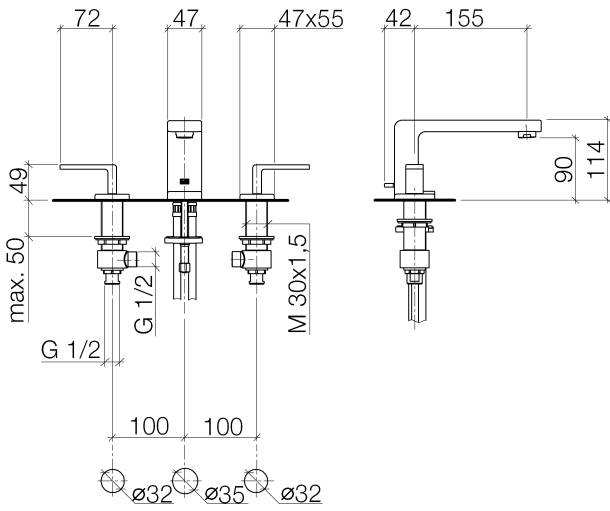


- 155mm projection
- fixed spout
- 1 1/4" pop-up waste
- circular, air-enriched flow
- height of mixer 114 mm
- height up to aerator 90 mm
- hole diameter valve 32 mm
- hole diameter spout 35 mm
- rosette 47 x 55 mm
- 2x screw-in M 8 x 1 pressure hose, leak-tested
- max. flow 4.5 l/min
- lead-free
- This product can help a building meet the requirements of Green Building Rating Systems, e.g. LEED®, BREEAM®, DGNB

Only suitable for basins with an overflow.

| | | |
|---|------------------|--------------------|
|  | Chrome | 20 713 710-00 0010 |
|  | Brushed Platinum | 20 713 710-06 0010 |

20 713 710



Flow rate chart



Codes & Standards

ADA

ASME
A112.18.1/CSA
B125.1

California Energy
Commission
(CEC)

NSF/ANSI 372

NSF/ANSI/CAN
61

Water Sense





LULU Three-hole basin mixer with pop-up waste - Chrome

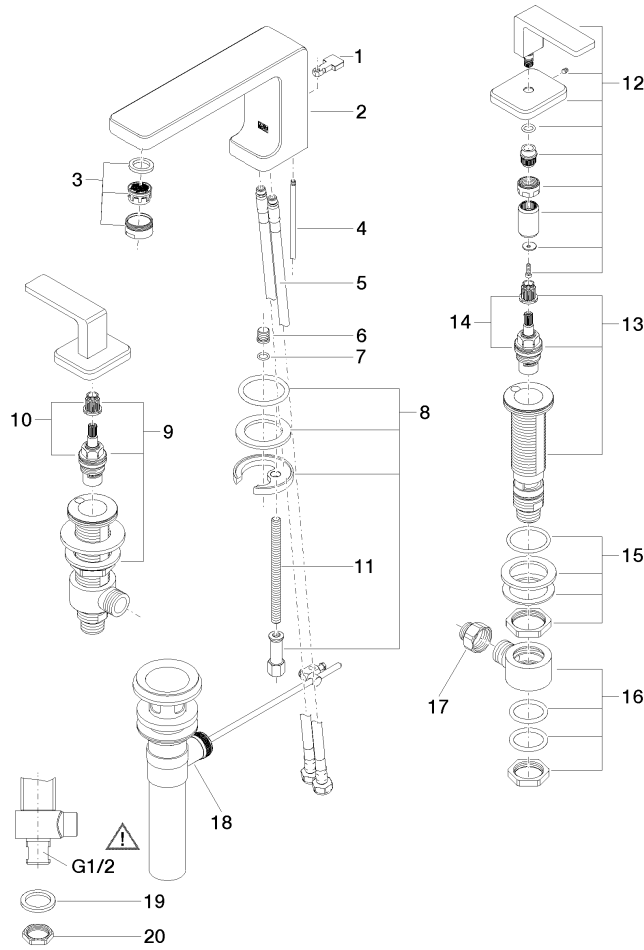
LULU

20 713 710

Certificates

IAPMO_N-4976. IAPMO_8834 (1). IAPMO_4976 (6). IAPMO_6397.

20 713 710



Spare parts list

| No. | Item Number | Name | Quantity used | Delivery time |
|-----|--------------------|--------------|---------------|---------------|
| 1 | 09 20 71 033-00 | handle | 1 | 10 |
| 2 | 09 11 71 095 10-00 | spout | 1 | 10 |
| 3 | 90 23 01 118 04-00 | aerator | 1 | 10 |
| 4 | 09 31 09 080-00 | pull-rod | 1 | 10 |
| 5 | 04 30 04 100 00 90 | hose | 2 | 2 |
| 6 | 09 31 20 065 90 | plug | 1 | 2 |
| 7 | 90 14 10 060 00 90 | seal | 1 | 2 |
| 8 | 04 30 11 038 75 90 | fixing set | 1 | 2 |
| 9 | 04 17 11 058 53 90 | side panel | 1 | 2 |
| 10 | 90 90 03 153 00 90 | top | 1 | 2 |
| 11 | 09 31 11 012 90 | pin | 1 | 2 |
| 12 | 90 20 71 046 01-00 | handle | 2 | 10 |
| 13 | 04 17 11 058 52 90 | side panel | 1 | 2 |
| 14 | 90 90 03 152 00 90 | top | 1 | 2 |
| 15 | 04 23 10 032 78 90 | fixing set | 2 | 2 |
| 16 | 04 17 11 023 10 90 | distributor | 2 | 2 |
| 17 | 09 24 03 185-00 | nipple | 2 | 10 |
| 18 | 90 11 01 023 00-00 | pop-up waste | 1 | 10 |
| 19 | 09 30 11 059 90 | disc | 2 | 2 |
| 20 | 09 23 10 012 90 | nut | 2 | 2 |