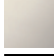



20 713 809

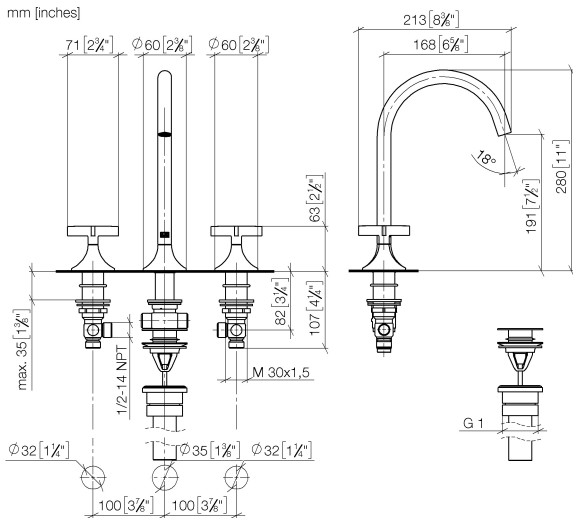


- 168mm projection
- 1 1/4" pop-up waste
- pivotable spout 360°
- circular, air-enriched flow
- height of mixer 280 mm
- height up to aerator 191 mm
- hole diameter valve 32 mm
- hole diameter spout 35 mm
- rosette Ø 60 mm
- max. flow 4.5 l/min
- lead-free
- This product can help a building meet the requirements of Green Building Rating Systems, e.g. LEED®, BREEAM®, DGNB

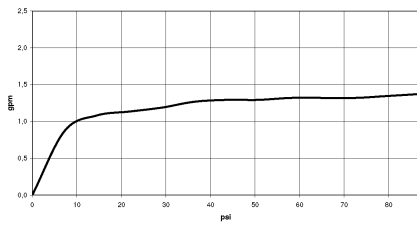
Only suitable for basins with an overflow.

	Brushed Bronze	20 713 809-42 0010
	Chrome	20 713 809-00 0010
	Brushed Platinum	20 713 809-06 0010
	Platinum	20 713 809-08 0010
	Dark Chrome	20 713 809-19 0010
	Brushed Durabronze (23kt Gold)	20 713 809-28 0010
	Brushed Champagne (22kt Gold)	20 713 809-46 0010
	Champagne (22kt Gold)	20 713 809-47 0010
	Brushed Dark Platinum	20 713 809-99 0010

20 713 809



Flow rate chart



Codes & Standards

ADA

ASME
A112.18.1/CSA
B125.1

California Energy
Commission
(CEC)

NSF/ANSI 372

NSF/ANSI/CAN
61



VAIA Three-hole basin mixer with pop-up waste - Brushed Bronze

VAIA

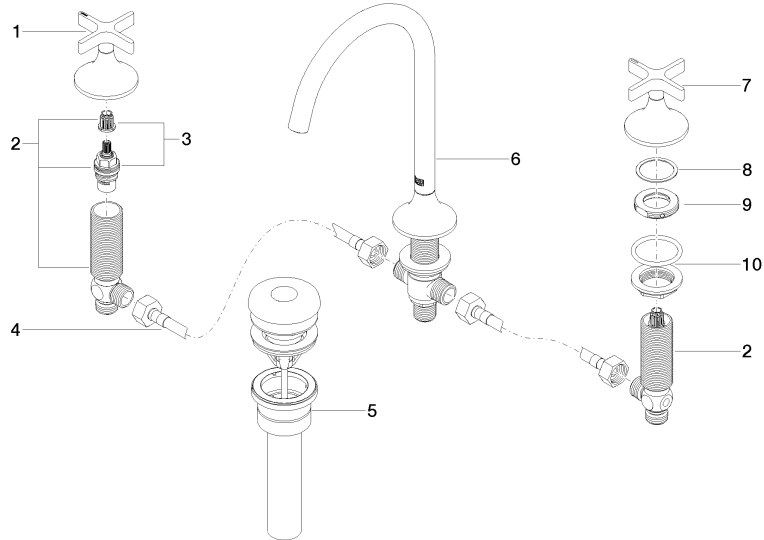
20 713 809

Certificates

IAPMO_N-4976. IAPMO_6397.

20 713 809

Parts for other finishes can be found here: [Chrome](#)



Spare parts list

No.	Item Number	Name	Quantity used	Delivery time
1	90 20 80 011 00-42	handle (hot)	1	30
2	04 17 11 055 51 90	side panel	2	2
3	90 90 03 151 00 90	top	2	2
4	04 30 04 096 00 90	hose	2	2
5	10 125 970-42 0010	Basin Waste 1 1/4" - Brushed Bronze	1	30
6	13 716 809-42 0010	VAIA Deck-mounted basin spout without pop-up waste - Brushed Bronze	1	30
7	90 20 80 010 00-42	handle (cold)	1	30
8	09 28 10 003 90	ring	2	2
9	09 24 01 028 90	ring	2	2
10	04 23 10 032 46 90	fixing set	2	2