

CYO Three-hole basin mixer with pop-up waste - Chrome







CYO

20 713 811

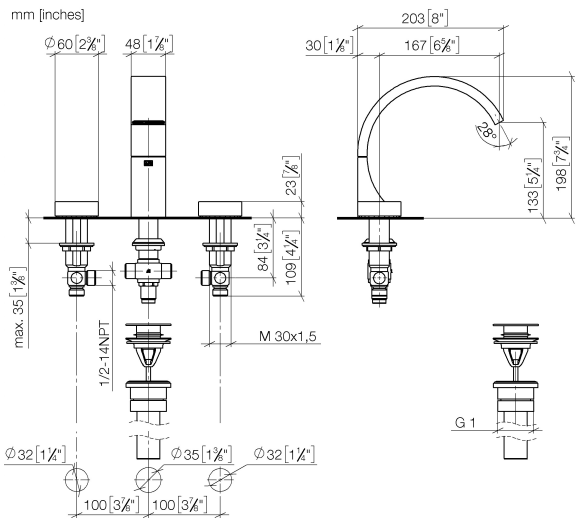


- 167mm projection
- 1 1/4" pop-up waste
- fixed spout
- rectangular, air-enriched flow
- height of mixer 198 mm
- height up to aerator 133 mm
- hole diameter spout 35 mm
- hole diameter valve 32 mm
- handle Ø 60mm
- max. flow 4.5 l/min
- lead-free
- This product can help a building meet the requirements of Green Building Rating Systems, e.g. LEED®, BREEAM®, DGNB

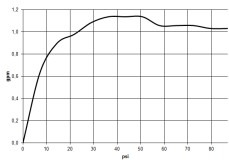
NOTE: The handle inserts must be ordered separately from the fittings!

	Chrome	20 713 811-00 0010
	Brushed Platinum	20 713 811-06 0010
	Dark Chrome	20 713 811-19 0010
	Brushed Durabronze (23kt Gold)	20 713 811-28 0010
	Platinum / Brushed Platinum	20 713 811-36 0010
	Durabronze / Brushed Durabronze (23kt Gold)	20 713 811-38 0010
	Brushed Dark Platinum	20 713 811-99 0010


20 713 811



Flow rate chart



Codes & Standards

ASME A112.18.1	California Energy Commission (CEC)	cUPC	EPA WaterSense
NSF372	NSF61	Water Sense	WaterSense 



CYO Three-hole basin mixer with pop-up waste - Chrome

CYO

20 713 811

Certificates

IAPMO_4976

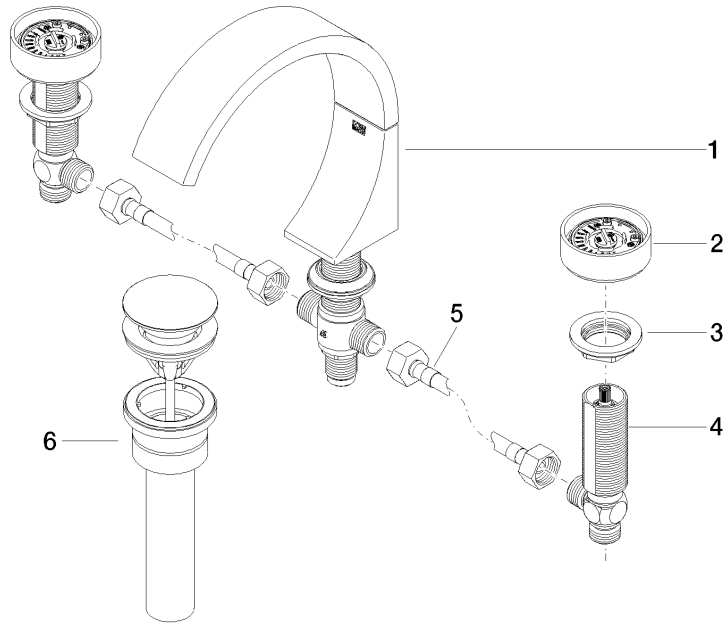
IAPMO_8834

IAPMO_N-4

IAPMO_6

20 713 811

Parts for other finishes can be found here: [Brushed](#)
[Platinum](#)





CYO Three-hole basin mixer with pop-up waste - Chrome

CYO

20 713 811

Spare parts list

No.	Item Number	Name	Quantity used	Delivery time
	13 717 811-00	CYO Deck-mounted basin spout without pop-up waste - Chrome	10	10