

VAIA Three-hole basin mixer with pop-up waste - Chrome

VAIA

20 713 819



- 168mm projection
- 1 1/4" pop-up waste
- pivotable spout 360°
- circular, air-enriched flow
- height of mixer 280 mm
- height up to aerator 191 mm
- hole diameter valve 32 mm
- hole diameter spout 35 mm
- rosette Ø 60 mm
- max. flow 4.5 l/min
- lead-free
- This product can help a building meet the requirements of Green Building Rating Systems, e.g. LEED®, BREEAM®, DGNB

Only suitable for basins with an overflow.

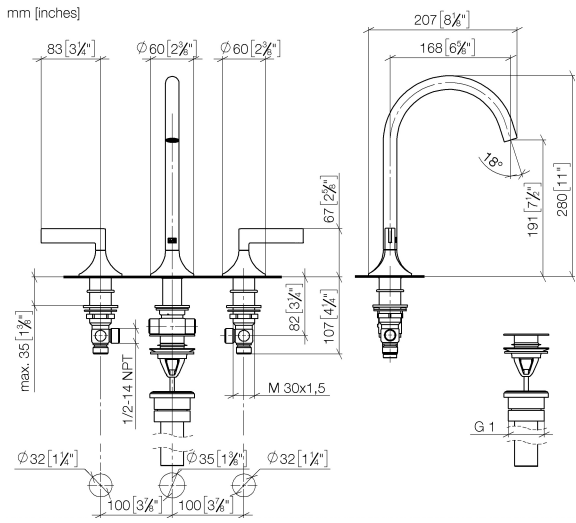
	Chrome	20 713 819-00 0010
	Brushed Platinum	20 713 819-06 0010
	Platinum	20 713 819-08 0010
	Dark Chrome	20 713 819-19 0010
	Brushed Durabronze (23kt Gold)	20 713 819-28 0010
	Brushed Bronze	20 713 819-42 0010
	Brushed Champagne (22kt Gold)	20 713 819-46 0010
	Champagne (22kt Gold)	20 713 819-47 0010
	Brushed Dark Platinum	20 713 819-99 0010




VAIA Three-hole basin mixer with pop-up waste - Chrome

VAIA

20 713 819



Codes & Standards

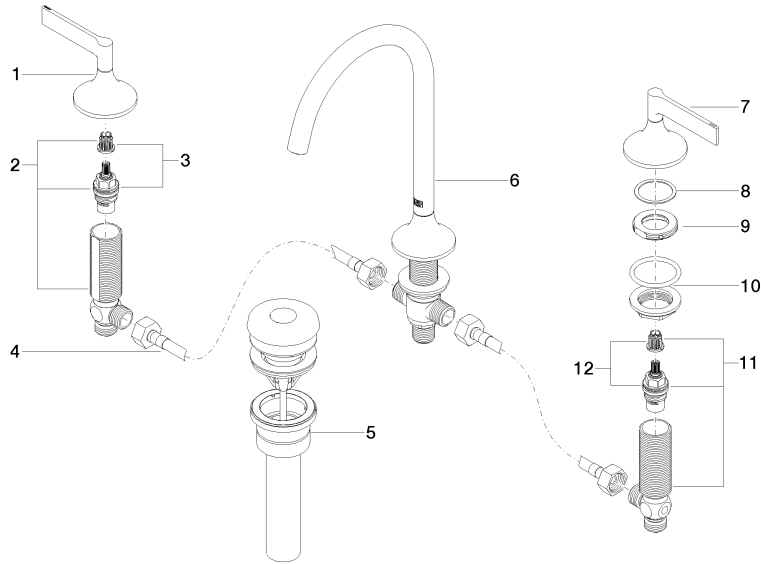
ADA	ASME A112.18.1	ASME A112.18.1/CSA B125.1	California Energy Commission (CEC)
cUPC	EPA WaterSense	NSF/ANSI 372	NSF/ANSI/CAN 61
NSF372	NSF61	Water Sense	WaterSense 

Certificates

IAPMO_4976 IAPMO_N-4 IAPMO_8834 IAPMO_6

20 713 819

Product version from 3/13/2017





VAIA Three-hole basin mixer with pop-up waste - Chrome

VAIA

20 713 819

Spare parts list

Product version from 3/13/2017

No.	Item Number	Name	Quantity used	Delivery time
	90 20 80 013 00-00	handle (hot)	15	10