

**CYO Three-hole basin mixer with pop-up waste - Chrome**






CYO

20 713 821

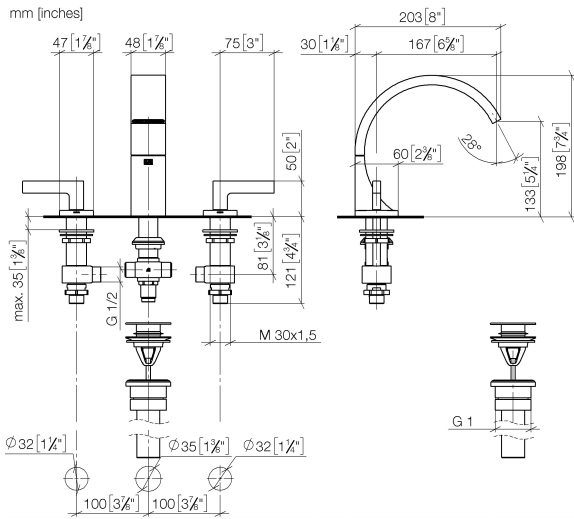


- 167mm projection
- 1 1/4" pop-up waste
- fixed spout
- rectangular, air-enriched flow
- height of mixer 198 mm
- height up to aerator 133 mm
- hole diameter spout 35 mm
- hole diameter valve 32 mm
- rosette for deck valve 60 x 60mm
- max. flow 4.5 l/min
- lead-free
- with hot / cold marking
- This product can help a building meet the requirements of Green Building Rating Systems, e.g. LEED®, BREEAM®, DGNB

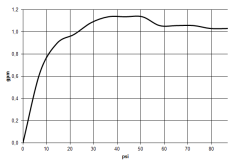
Only suitable for basins with an overflow.

	Chrome	20 713 821-00 0010
	Brushed Platinum	20 713 821-06 0010
	Dark Chrome	20 713 821-19 0010
	Brushed Durabronze (23kt Gold)	20 713 821-28 0010
	Brushed Dark Platinum	20 713 821-99 0010


20 713 821



**Flow rate chart**



**Codes & Standards**

ASME A112.18.1	California Energy Commission (CEC)	cUPC	EPA WaterSense
NSF372	NSF61	Water Sense	WaterSense 



CYO Three-hole basin mixer with pop-up waste - Chrome

CYO

20 713 821

Certificates

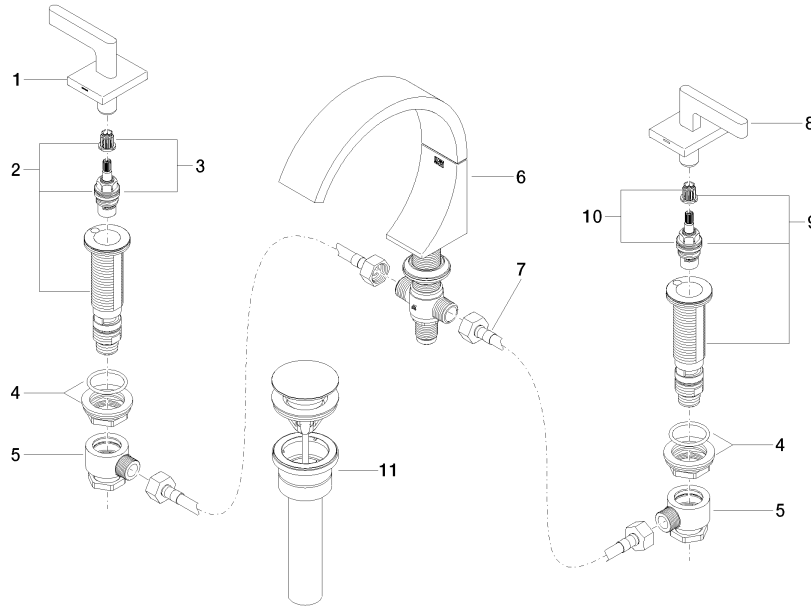
IAPMO\_8834

IAPMO\_N-4

IAPMO\_6

IAPMO\_4976

20 713 821





# CYO Three-hole basin mixer with pop-up waste - Chrome

CYO

20 713 821

## Spare parts list

No.	Item Number	Name	Quantity used	Delivery time
	90 20 70 057 02-00	handle ( hot )	14	10