

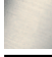





20 713 845

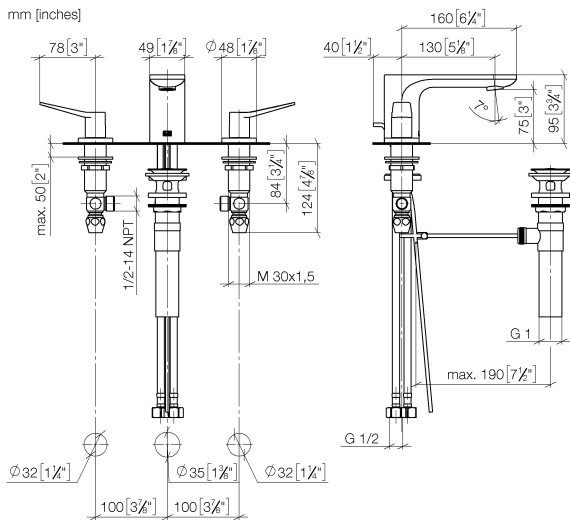


- 130mm projection
- 1 1/4" pop-up waste
- fixed spout
- circular, air-enriched flow
- height of mixer 95 mm
- height up to aerator 75 mm
- hole diameter valve 32 mm
- hole diameter spout 35 mm
- rosette Ø 48 mm
- max. flow 4.5 l/min
- lead-free
- This product can help a building meet the requirements of Green Building Rating Systems, e.g. LEED®, BREEAM®, DGNB

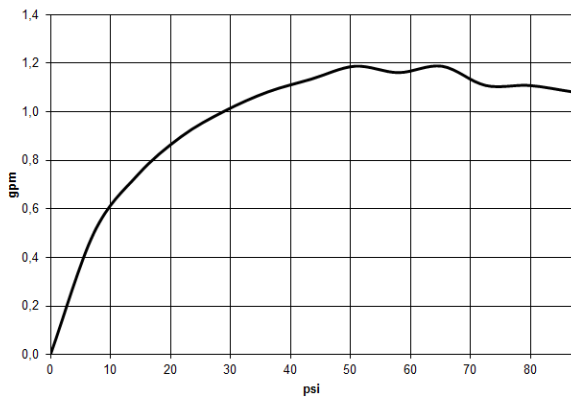
Only suitable for basins with an overflow.

	Brushed Chrome	20 713 845-93 0010
	Chrome	20 713 845-00 0010
	Brushed Platinum	20 713 845-06 0010
	Dark Chrome	20 713 845-19 0010
	Matte Black	20 713 845-33 0010
	Brushed Dark Platinum	20 713 845-99 0010

20 713 845



**Flow rate chart**



**Codes & Standards**

ADA

ASME  
A112.18.1/CSA  
B125.1

California Energy  
Commission  
(CEC)

NSF/ANSI 372

NSF/ANSI/CAN  
61

Water Sense





## LISSÉ Three-hole basin mixer with pop-up waste - Brushed Chrome

---

LISSÉ

20 713 845

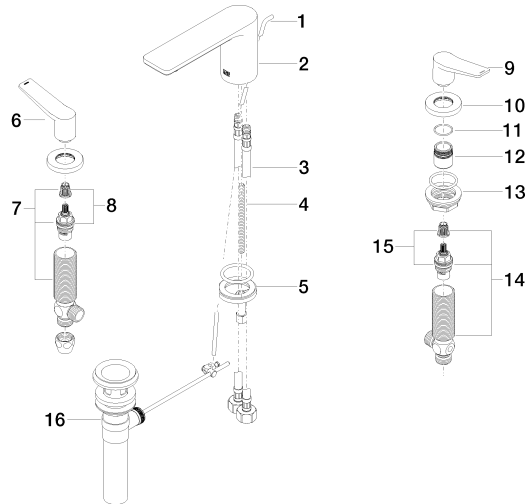
### Certificates

---

IAPMO\_8834 (2).    IAPMO\_N-4976.    IAPMO\_4976 (2).    IAPMO\_6397.

20 713 845

Parts for other finishes can be found here: [Chrome](#)



## Spare parts list

No.	Item Number	Name	Quantity used	Delivery time
1	09 31 09 120-93	pull-rod	1	20
2	90 11 84 013 02-93	spout	1	-
Spare part can no longer be ordered, please order the replacement item				
3	04 30 04 019 00 90	hose	2	2
4	09 31 11 012 90	pin	1	2
5	04 30 11 038 75 90	fixing set	1	2
6	09 20 84 025-93	handle ( hot )	1	20
7	04 17 11 055 51 90	side panel	1	2
8	90 90 03 151 00 90	top	1	2
9	09 20 84 024-93	handle ( cold )	1	20
10	09 27 84 023-93	rosette	2	20
11	09 14 10 098 90	seal	2	2
12	09 18 40 206 90	ring	2	2
13	04 23 10 032 78 90	fixing set	2	2
14	04 17 11 055 50 90	side panel	1	2
15	90 90 03 150 00 90	top	1	2
16	90 11 01 023 00-93	pop-up waste	1	20