

20 713 892



- 165mm projection
- 1 1/4" pop-up waste
- pivotable spout 360°
- circular, air-enriched flow
- height of mixer 285 mm
- height up to aerator 163 mm
- hole diameter valve 32 mm
- hole diameter spout 35 mm
- rosette Ø 55 mm
- 2x screw-in M 10 x 1 pressure hose, leak-tested
- max. flow 4.5 l/min
- lead-free
- This product can help a building meet the requirements of Green Building Rating Systems, e.g. LEED®, BREEAM®, DGNB

Only suitable for basins with an overflow.

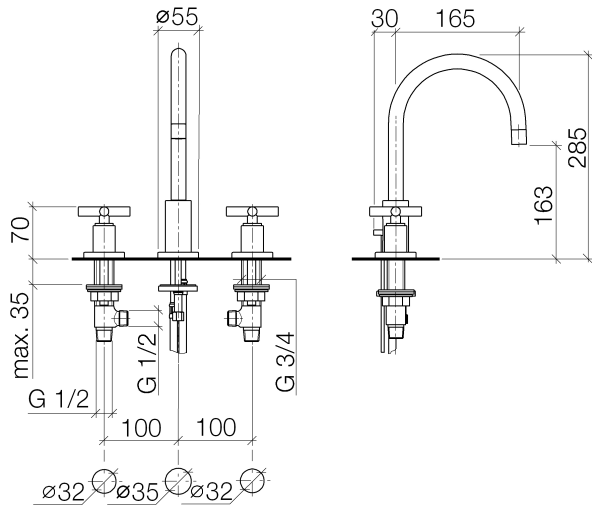
	Chrome	20 713 892-00 0010
	Brushed Platinum	20 713 892-06 0010
	Platinum	20 713 892-08 0010
	Dark Chrome	20 713 892-19 0010
	Brushed Durabronze (23kt Gold)	20 713 892-28 0010
	Matte Black	20 713 892-33 0010
	Brushed Champagne (22kt Gold)	20 713 892-46 0010
	Champagne (22kt Gold)	20 713 892-47 0010
	Brushed Chrome	20 713 892-93 0010
	Brushed Dark Platinum	20 713 892-99 0010



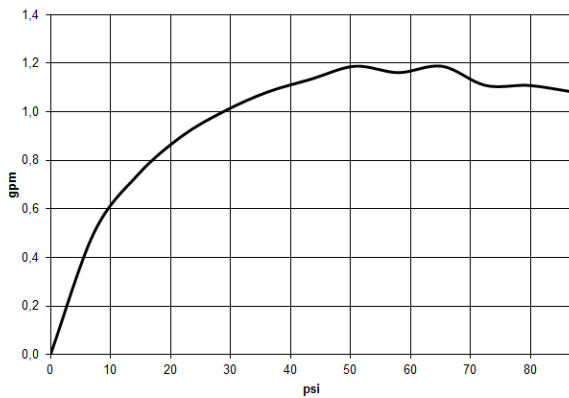
# TARA Three-hole basin mixer with pop-up waste - Chrome

TARA

20 713 892



## Flow rate chart



## Codes & Standards

ADA

ASME  
A112.18.1/CSA  
B125.1

California Energy  
Commission  
(CEC)

NSF/ANSI 372

NSF/ANSI/CAN  
61

Water Sense





## TARA Three-hole basin mixer with pop-up waste - Chrome

---

TARA

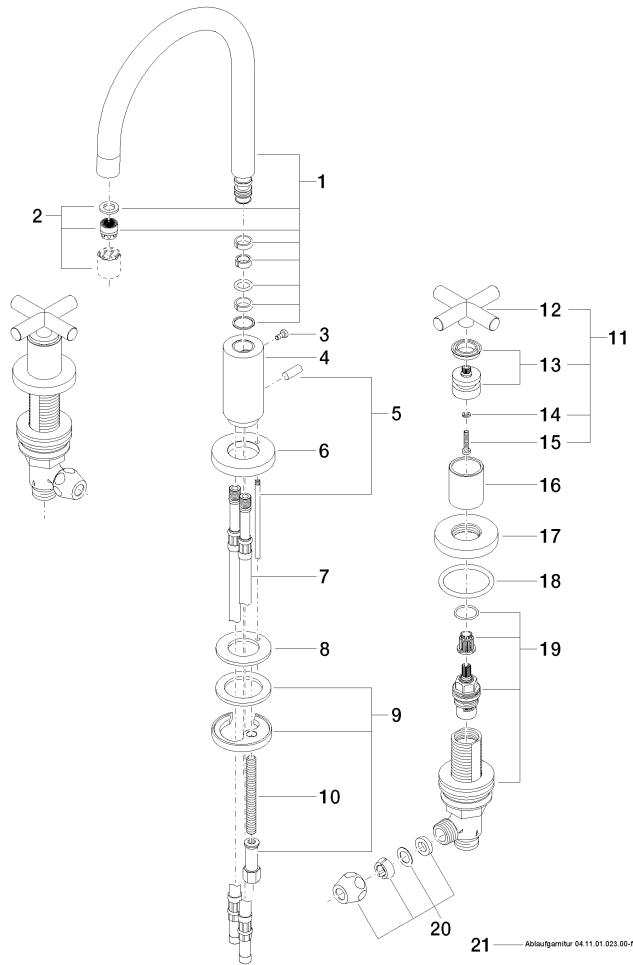
20 713 892

### Certificates

---

IAPMO\_N-4976.    IAPMO\_8834 (1).    IAPMO\_4976 (6).    IAPMO\_6397.

20 713 892



**Spare parts list**

No.	Item Number	Name	Quantity used	Delivery time
1	90 28 22 213 02-00	spout	1	10
2	90 23 01 028 04-00	aerator	1	10
3	09 30 30 057 90	screw	1	2
4	09 11 10 087 10-00	connection	1	10
5	04 20 89 030 80-00	pull-rod	1	10
6	09 28 10 133-00	ring	1	10
7	04 30 04 019 00 90	hose	2	2
8	09 14 05 047 90	seal	1	2
9	04 30 11 038 00 90	fixing set	1	2
10	09 31 11 011 90	pin	1	2
11	90 20 89 010 10-00	handle	2	10
12	09 20 89 010-00	handle	2	60
13	90 12 12 007 00-00	base	2	10
14	90 30 11 029 00 90	disc	2	2
15	90 30 30 075 00 90	screw	2	2
16	09 21 02 140-00	sleeve	2	10
17	09 27 89 105-00	rosette	2	10
18	90 14 10 043 00 90	seal	2	2
19	90 17 11 040 51 90	side panel	2	2
20	90 23 30 040 00-00	threaded connector	2	10
21	90 11 01 023 00-00	pop-up waste	1	10