

**MEM Three-hole basin mixer with pop-up waste - Chrome**

MEM

20 715 782

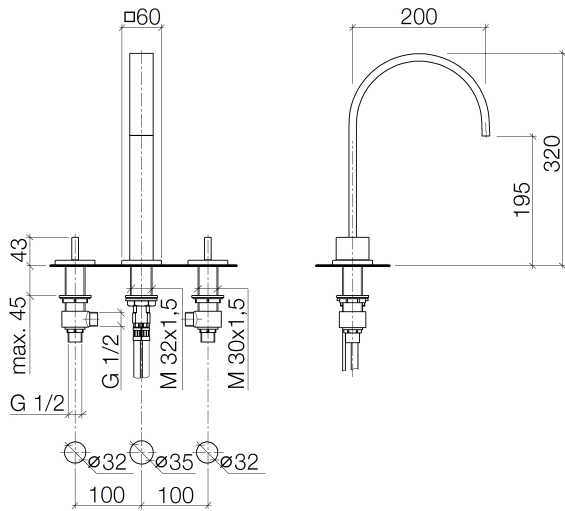


- 200mm projection
- fixed spout
- 1 1/4" pop-up waste
- rectangular, air-enriched flow
- height of mixer 320 mm
- height up to aerator 195 mm
- hole diameter spout 35 mm
- hole diameter valve 32 mm
- rosette 60 x 60 mm
- 2x screw-in M 10 x 1 pressure hose, leak-tested
- max. flow 4.5 l/min
- lead-free
- This product can help a building meet the requirements of Green Building Rating Systems, e.g. LEED®, BREEAM®, DGNB

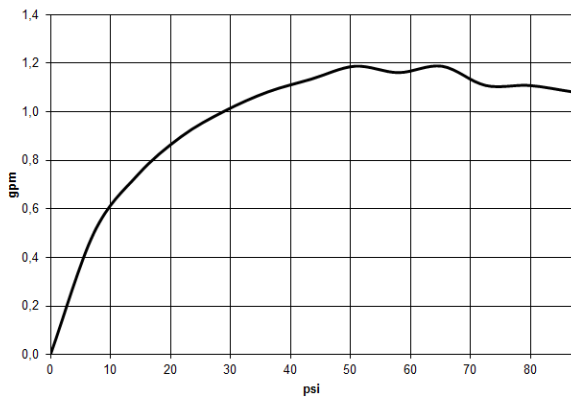
Only suitable for basins with an overflow.

|   |                                |                    |
|---|--------------------------------|--------------------|
|  | Chrome                         | 20 715 782-00 0010 |
|  | Brushed Platinum               | 20 715 782-06 0010 |
|  | Platinum                       | 20 715 782-08 0010 |
|  | Dark Chrome                    | 20 715 782-19 0010 |
|  | Brushed Durabronze (23kt Gold) | 20 715 782-28 0010 |
|  | Brushed Champagne (22kt Gold)  | 20 715 782-46 0010 |
|  | Champagne (22kt Gold)          | 20 715 782-47 0010 |
|  | Brushed Dark Platinum          | 20 715 782-99 0010 |

20 715 782



**Flow rate chart**



**Codes & Standards**

ADA

ASME  
A112.18.1/CSA  
B125.1

California Energy  
Commission  
(CEC)

NSF/ANSI 372

NSF/ANSI/CAN  
61

Water Sense





## MEM Three-hole basin mixer with pop-up waste - Chrome

---

MEM

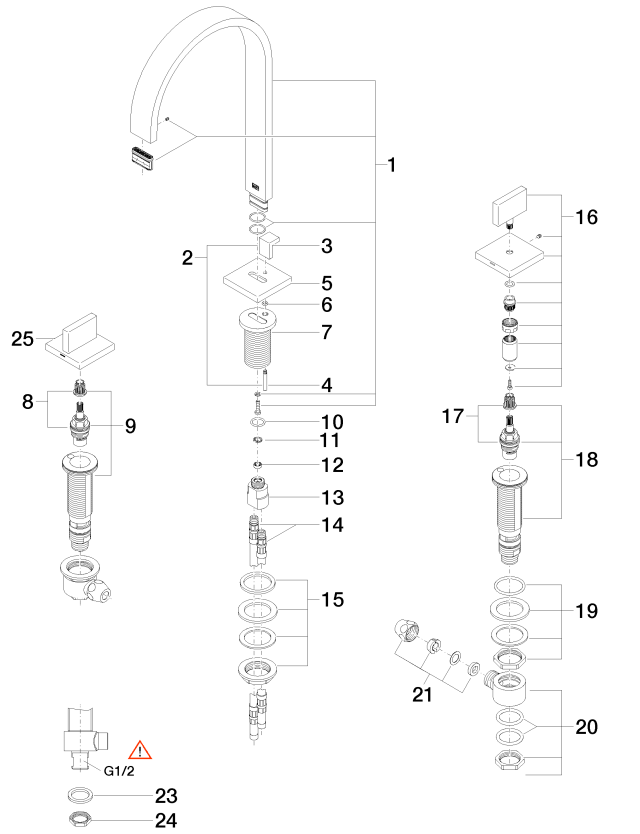
20 715 782

### Certificates

---

IAPMO\_N-4976. IAPMO\_8834 (1). IAPMO\_4976 (3). IAPMO\_6397.

20 715 782



22 Alte Sparte 0411.R.2210-F



## MEM Three-hole basin mixer with pop-up waste - Chrome

MEM

20 715 782

### Spare parts list

| No. | Item Number        | Name               | Quantity used | Delivery time |
|-----|--------------------|--------------------|---------------|---------------|
| 1   | 90 28 22 155 02-00 | spout              | 1             | 10            |
| 2   | 04 20 78 030 80-00 | pull-rod           | 1             | 10            |
| 3   | 09 20 78 030-00    | handle             | 1             | 10            |
| 4   | 09 31 09 080-00    | pull-rod           | 1             | 10            |
| 5   | 09 27 78 032-00    | rosette            | 1             | 10            |
| 6   | 09 14 10 166 90    | seal               | 1             | 2             |
| 7   | 09 11 10 054 10 90 | connection         | 1             | 2             |
| 8   | 90 90 03 152 00 90 | top                | 1             | 2             |
| 9   | 04 17 11 058 52 90 | side panel         | 1             | 2             |
| 10  | 09 14 10 130 90    | seal               | 1             | 2             |
| 11  | 09 16 01 016 90    | ring               | 1             | 2             |
| 12  | 09 23 01 033 90    | flow reducer       | 1             | 2             |
| 13  | 09 11 10 055 10 90 | connection         | 1             | 2             |
| 14  | 04 30 04 016 00 90 | hose               | 1             | 60            |
| 15  | 04 23 10 009 01 90 | fixing set         | 1             | 2             |
| 16  | 90 20 78 002 04-00 | handle ( cold )    | 1             | 10            |
| 17  | 90 90 03 153 00 90 | top                | 1             | 2             |
| 18  | 04 17 11 058 53 90 | side panel         | 1             | 2             |
| 19  | 04 23 10 032 78 90 | fixing set         | 1             | 2             |
| 20  | 04 17 11 023 10 90 | distributor        | 1             | 2             |
| 21  | 90 23 30 040 00-00 | threaded connector | 1             | 10            |
| 22  | 90 11 01 023 00-00 | pop-up waste       | 1             | 10            |
| 23  | 09 30 11 059 90    | disc               | 2             | 2             |
| 24  | 09 23 10 012 90    | nut                | 2             | 2             |
| 25  | 90 20 78 002 05-00 | handle ( hot )     | 1             | 10            |