

22 513 809



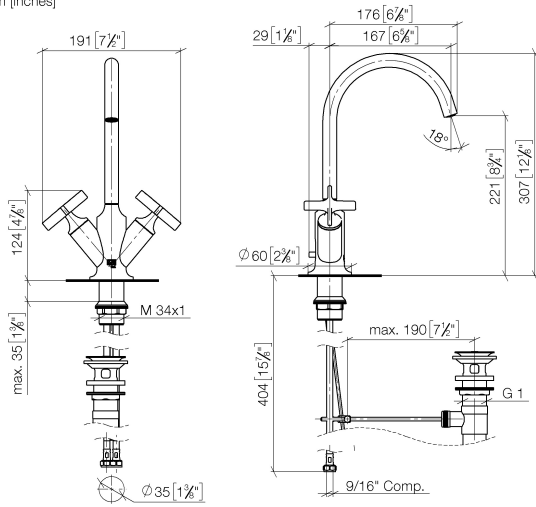
- 167mm projection
- 1 1/4" pop-up waste
- pivotable spout 360°
- circular, air-enriched flow
- height of mixer 307 mm
- height up to aerator 221 mm
- hole diameter 35 mm
- rosette Ø 60 mm
- 2x screw-in M 10 x 1 pressure hose, leak-tested
- 2x US pressure hose, 3/8"
- max. flow 4.5 l/min
- lead-free
- This product can help a building meet the requirements of Green Building Rating Systems, e.g. LEED®, BREEAM®, DGNB

Only suitable for basins with an overflow.

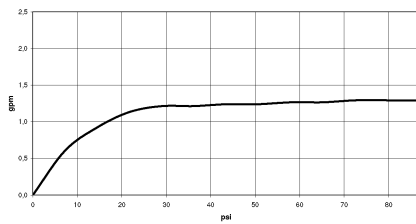
| | | |
|---|-------------------------------------|--------------------|
|  | Dark Chrome | 22 513 809-19 0010 |
|  | Chrome | 22 513 809-00 0010 |
|  | Brushed Platinum | 22 513 809-06 0010 |
|  | Platinum | 22 513 809-08 0010 |
|  | Brushed Durabronze (23kt Gold) | 22 513 809-28 0010 |
|  | Brushed Bronze | 22 513 809-42 0010 |
|  | Brushed Champagne (22kt Gold) | 22 513 809-46 0010 |
|  | Champagne (22kt Gold) | 22 513 809-47 0010 |
|  | Brushed Dark Platinum | 22 513 809-99 0010 |

22 513 809

mm [inches]



Flow rate chart

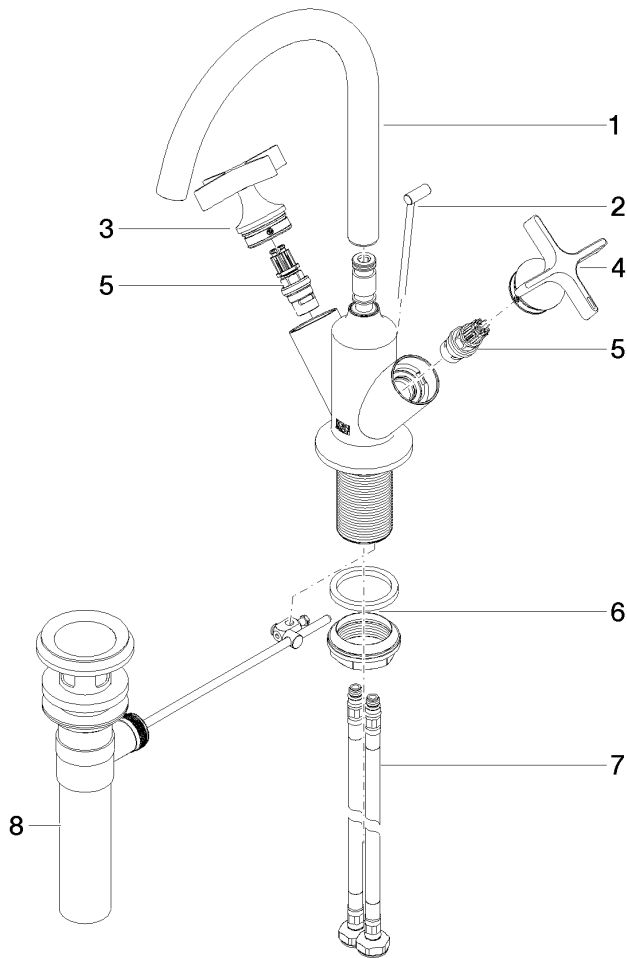


Codes & Standards

California Energy
Commission
(CEC)

22 513 809

Parts for other finishes can be found here: [Chrome](#)



Spare parts list

| No. | Item Number | Name | Quantity used | Delivery time |
|-----|--------------------|---------------------------|---------------|---------------|
| 1 | 90 28 22 320 01-19 | spout | 1 | 20 |
| 2 | 04 20 89 035 80-19 | pull-rod | 1 | 20 |
| 3 | 90 20 66 029 01-19 | handle (hot) | 1 | 20 |
| 4 | 90 20 66 028 00-19 | handle (cold) | 1 | 20 |
| 5 | 90 90 03 175 00 90 | top | 2 | 2 |
| 6 | 04 23 10 044 07 90 | fixing set | 1 | 2 |
| 7 | 04 30 04 102 00 90 | High pressure hose 3/8" - | 2 | 2 |
| 8 | 90 11 01 023 00-19 | pop-up waste | 1 | 20 |