

22 584 660



- 196mm projection
- fixed spout
- circular, air-enriched flow
- total height 1033 - 1103 mm
- height up to aerator 951 – 1021 mm
- rosette Ø 135 mm
- max. flow 4.5 l/min
- lead-free
- This product can help a building meet the requirements of Green Building Rating Systems, e.g. LEED®, BREEAM®, DGNB

	Chrome	22 584 660-00 0010
	Brushed Platinum	22 584 660-06 0010
	Light Gold	22 584 660-26 0010
	Brushed Light Gold	22 584 660-27 0010
	Matte Black	22 584 660-33 0010
	Brushed Bronze	22 584 660-42 0010
	Brushed Champagne (22kt Gold)	22 584 660-46 0010
	Champagne (22kt Gold)	22 584 660-47 0010
	Brushed Chrome	22 584 660-93 0010
	Brushed Dark Platinum	22 584 660-99 0010

Required miscellaneous

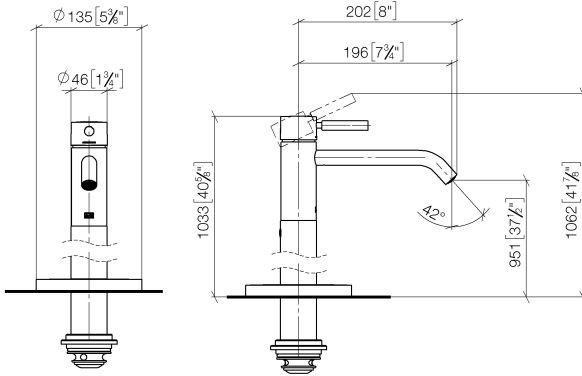


- Concealed floor mounting -**
- max. recess depth 150 mm
 - min. recess depth 80 mm

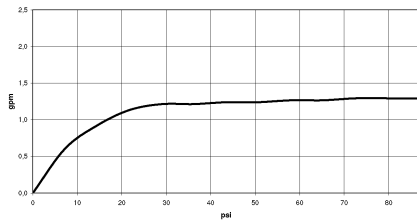
35 949 970-90
0010

22 584 660

mm [inches]



Flow rate chart



Codes & Standards

California Energy
Commission
(CEC)

Water Sense





META Single-lever basin mixer with stand pipe without pop-up waste - Chrome

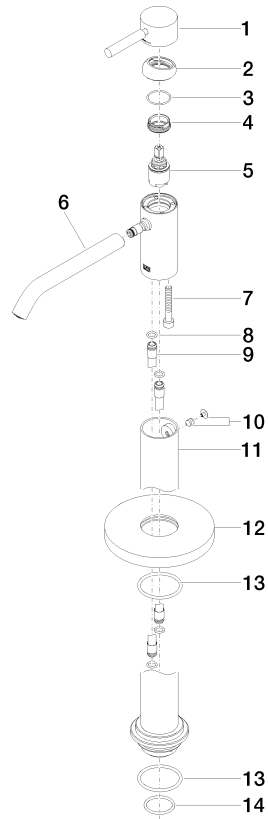
META

22 584 660

Certificates

IAPMO_8834 (2).

22 584 660



Spare parts list

No.	Item Number	Name	Quantity used	Delivery time
1	90 20 66 002 00-00	handle	1	10
2	09 28 30 041-00	cover	1	10
3	09 14 10 091 90	seal	1	2
4	09 24 04 266 90	nut	1	2
5	90 15 05 044 00 90	cartridge	1	2
6	90 11 06 216 01-00	spout	1	10
7	09 30 30 111 90	screw	1	2
8	09 14 10 139 90	seal	2	2
9	04 28 22 022 10 90	connection	2	2
10	04 31 11 002 00 90	pin	1	2
11	90 28 22 574 00-00	pipe	1	10
12	09 27 88 005-00	rosette	1	60
13	09 14 10 084 90	seal	2	2
14	09 14 10 018 90	seal	1	2