


META Single-lever basin mixer with stand pipe without pop-up waste - Brushed Dark Platinum

META

22 584 661



- 202mm projection
- circular, air-enriched flow
- total height 1197 - 1267 mm
- height up to water outlet point 1098 mm
- rosette Ø 135 mm
- max. flow 4.5 l/min
- lead-free
- This product can help a building meet the requirements of Green Building Rating Systems, e.g. LEED®, BREEAM®, DGNB
- pivoting spout

| | | |
|--|-------------------------------|--------------------|
|  | Brushed Dark Platinum | 22 584 661-99 0010 |
|  | Chrome | 22 584 661-00 0010 |
|  | Brushed Platinum | 22 584 661-06 0010 |
|  | Light Gold | 22 584 661-26 0010 |
|  | Brushed Light Gold | 22 584 661-27 0010 |
|  | Matte Black | 22 584 661-33 0010 |
|  | Brushed Bronze | 22 584 661-42 0010 |
|  | Brushed Champagne (22kt Gold) | 22 584 661-46 0010 |
|  | Champagne (22kt Gold) | 22 584 661-47 0010 |
|  | Brushed Chrome | 22 584 661-93 0010 |

Required miscellaneous



- Concealed floor mounting -** 35 949 970-90
- min. recess depth 80 mm 0010
 - max. recess depth 150 mm

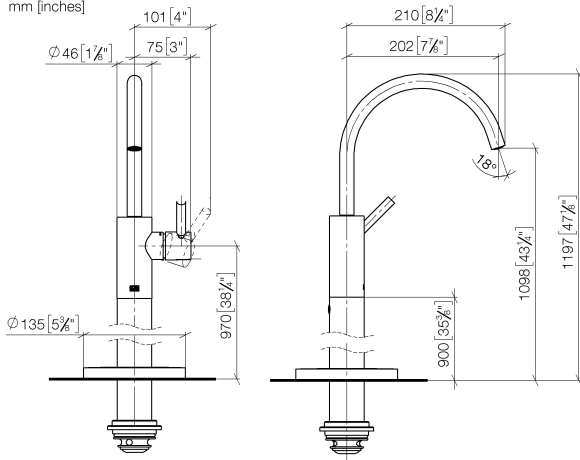


META Single-lever basin mixer with stand pipe without pop-up waste - Brushed Dark Platinum

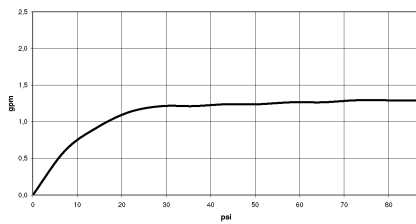
META

22 584 661

mm [inches]



Flow rate chart



Codes & Standards

California Energy
Commission
(CEC)

Water Sense





META Single-lever basin mixer with stand pipe without pop-up waste - Brushed
Dark Platinum

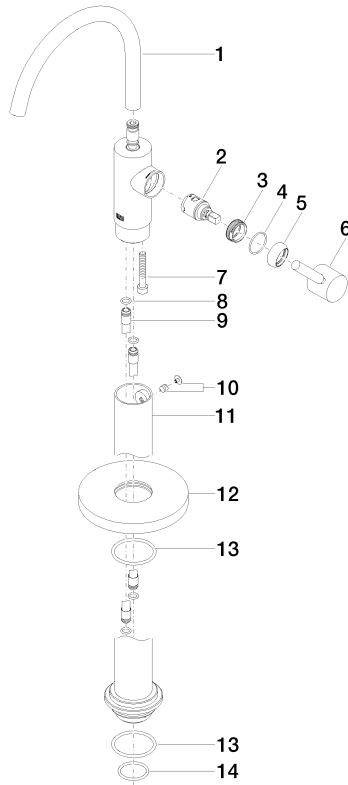
META

22 584 661

Certificates

IAPMO_8834 (2).

22 584 661



Spare parts list

| No. | Item Number | Name | Quantity used | Delivery time |
|-----|--------------------|------------|---------------|---------------|
| 1 | 90 28 22 313 01-99 | spout | 1 | 30 |
| 2 | 90 15 05 042 00 90 | cartridge | 1 | 2 |
| 3 | 09 24 04 266 90 | nut | 1 | 2 |
| 4 | 09 14 10 091 90 | seal | 1 | 2 |
| 5 | 09 28 30 021-99 | cover | 1 | 30 |
| 6 | 90 20 66 003 00-99 | handle | 1 | 30 |
| 7 | 09 30 30 111 90 | screw | 1 | 2 |
| 8 | 09 14 10 139 90 | seal | 2 | 2 |
| 9 | 04 28 22 022 10 90 | connection | 2 | 2 |
| 10 | 04 31 11 002 00 90 | pin | 1 | 2 |
| 11 | 90 28 22 574 00-99 | pipe | 1 | 30 |
| 12 | 09 27 88 005-99 | rosette | 1 | 60 |
| 13 | 09 14 10 084 90 | seal | 2 | 2 |
| 14 | 09 14 10 018 90 | seal | 1 | 2 |