

TARA Single-hole mixer - Brushed Champagne (22kt Gold)

TARA

22 815 892



- 235mm projection
- pivotable spout 360°
- air-enriched flow
- height of mixer 378 mm
- height up to aerator 220 mm
- hole diameter 35 mm
- 2 x pressure hose with 3/8" cap nut
- max. flow 5.7 l/min at 3 bar flow pressure
- lead-free
- This product can help a building meet the requirements of Green Building Rating Systems, e.g. LEED®, BREEAM®, DGNB

Not possible in combination with rinsing spray.

| | | |
|--------------------------------------------------------------------------------------|-------------------------------|--------------------|
|  | Brushed Champagne (22kt Gold) | 22 815 892-46 0010 |
|  | Chrome | 22 815 892-00 0010 |
|  | Brushed Platinum | 22 815 892-06 0010 |
|  | Platinum | 22 815 892-08 0010 |
|  | Durabrand (23kt Gold) | 22 815 892-09 0010 |
|  | Dark Chrome | 22 815 892-19 0010 |
|  | Brushed Durabrand (23kt Gold) | 22 815 892-28 0010 |
|  | Matte Black | 22 815 892-33 0010 |
|  | Champagne (22kt Gold) | 22 815 892-47 0010 |
|  | Brushed Chrome | 22 815 892-93 0010 |
|  | Brushed Dark Platinum | 22 815 892-99 0010 |

Recommended miscellaneous

Dispenser with rosette - Brushed Champagne (22kt Gold) 82 444 970-46

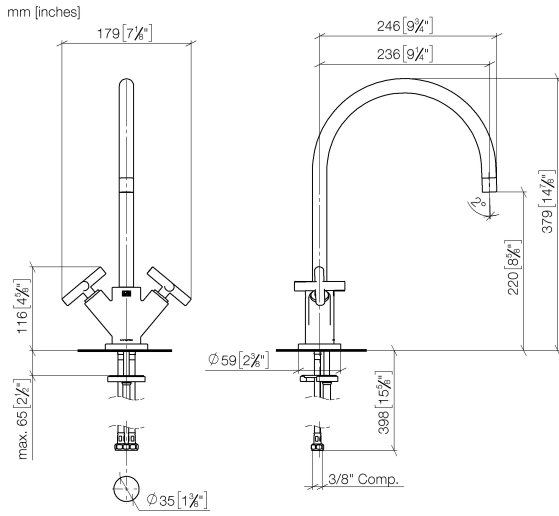


Recommended miscellaneous

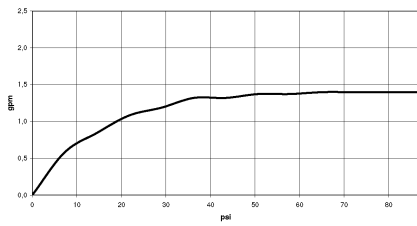
AIR SWITCH Control button - Brushed Champagne (22kt Gold) 10 713 970-46



22 815 892



Flow rate chart



Codes & Standards

| | | | |
|--------------------|---------------------------------|------------------------------------------|--------------|
| ADA | ASME A112.18.1/CSA B125.1 | California Energy Commission (CEC) | NSF/ANSI 372 |
| NSF/ANSI/CAN 61 | NSF372 | NSF61 | |



TARA Single-hole mixer - Brushed Champagne (22kt Gold)

TARA

22 815 892

Certificates

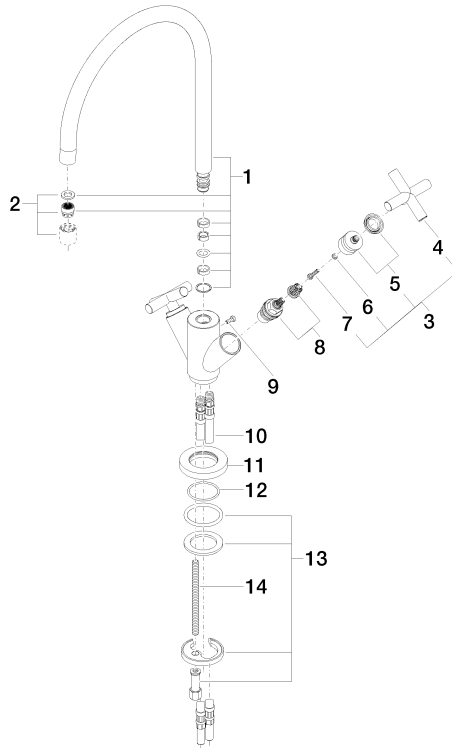
IAPMO_N-4

IAPMO_6

22 815 892

Product version from 5/27/2021

Parts for other finishes can be found here: [Chrome](#)





22 815 892

Spare parts list

Product version from 5/27/2021