

TARA Single-hole mixer - Brushed Chrome

TARA

22 815 892



- 235mm projection
- pivotable spout 360°
- air-enriched flow
- height of mixer 378 mm
- height up to aerator 220 mm
- hole diameter 35 mm
- 2 x pressure hose with 3/8" cap nut
- max. flow 5.7 l/min at 3 bar flow pressure
- lead-free
- This product can help a building meet the requirements of Green Building Rating Systems, e.g. LEED®, BREEAM®, DGNB

Not possible in combination with rinsing spray.

	Brushed Chrome	22 815 892-93 0010
	Chrome	22 815 892-00 0010
	Brushed Platinum	22 815 892-06 0010
	Platinum	22 815 892-08 0010
	Durabronze (23kt Gold)	22 815 892-09 0010
	Dark Chrome	22 815 892-19 0010
	Brushed Durabronze (23kt Gold)	22 815 892-28 0010
	Matte Black	22 815 892-33 0010
	Brushed Champagne (22kt Gold)	22 815 892-46 0010
	Champagne (22kt Gold)	22 815 892-47 0010
	Brushed Dark Platinum	22 815 892-99 0010

Recommended miscellaneous

AIR SWITCH Control button - Brushed Chrome 10 713 970-93

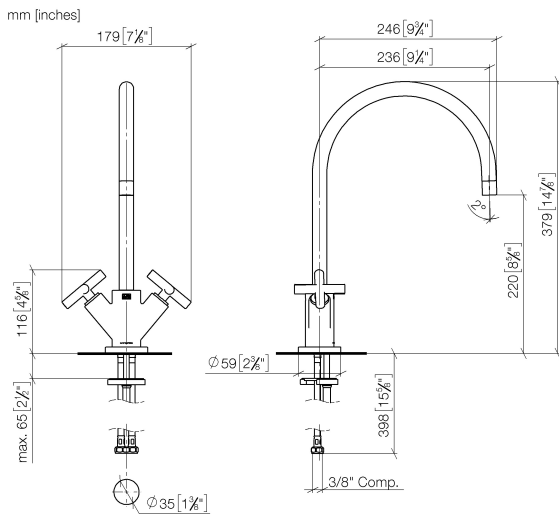


Recommended miscellaneous

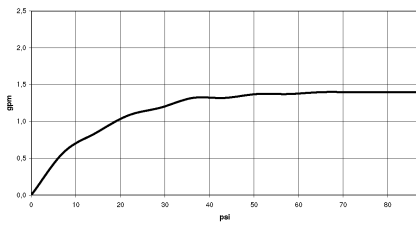
Dispenser with rosette - Brushed Chrome 82 444 970-93



22 815 892



Flow rate chart



Codes & Standards

ADA	ASME A112.18.1/CSA B125.1	California Energy Commission (CEC)	NSF/ANSI 372
NSF/ANSI/CAN 61	NSF372	NSF61	



TARA Single-hole mixer - Brushed Chrome

TARA

22 815 892

Certificates

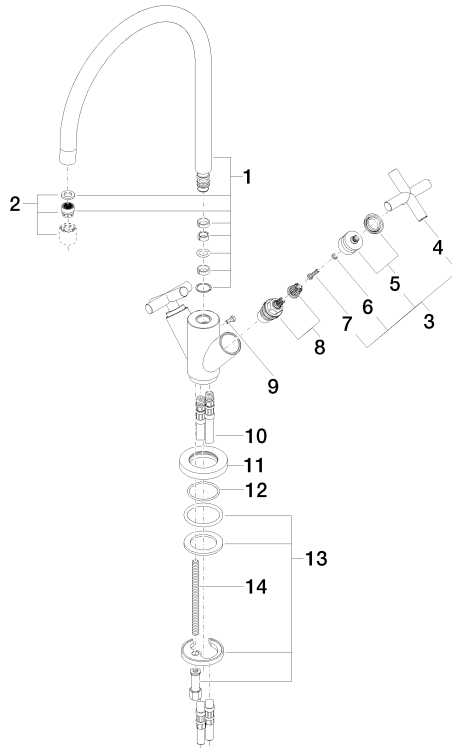
IAPMO_N-4

IAPMO_6

22 815 892

Product version from 5/27/2021

Parts for other finishes can be found here: [Chrome](#)





Spare parts list

Product version from 5/27/2021