

MADISON Bath mixer for wall mounting with hand shower set - Brushed Durabronz (23kt Gold)

MADISON

25 023 360



- 160mm projection
- Hand shower: COMPACT RAIN, max. flow rate 7.6 l/min (at 3 bar)
- spout: rectangular normal flow
- wall bracket
- rotary diverter for bath/shower
- rosette Ø 70 mm
- 1/2" connection
- gauge 153 mm
- metal shower hose 1250mm with integrated anti-twist protection
- max. spout flow rate 26 l/min

Note: Local building codes may require the use of an anti-scald device. Please refer to remote pressure balance valve (35 910 970 90)

Intrinsic protection against back flow.

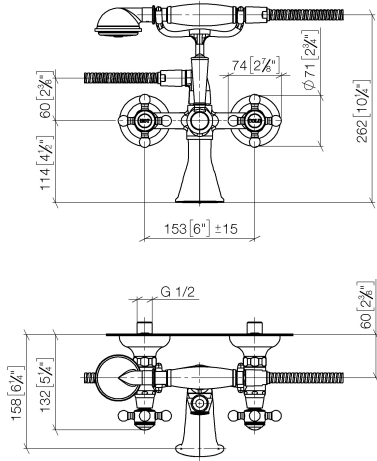
	Brushed Durabronz (23kt Gold)	25 023 360-28 0010
	Chrome	25 023 360-00 0010
	Brushed Platinum	25 023 360-06 0010
	Platinum	25 023 360-08 0010
	Durabronz (23kt Gold)	25 023 360-09 0010
	Brushed Dark Platinum	25 023 360-99 0010



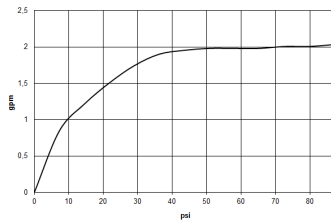
MADISON Bath mixer for wall mounting with hand shower set - Brushed Durabronz (23kt Gold)

MADISON

25 023 360
mm [inches]



Flow rate chart



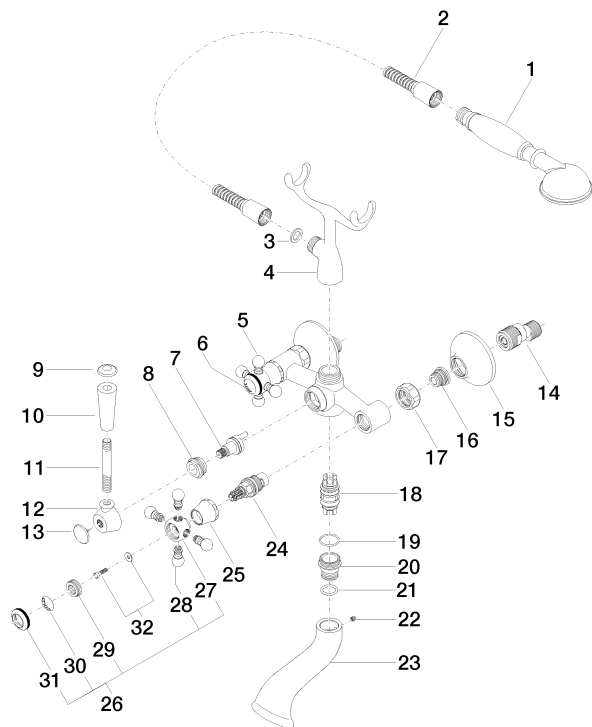
Codes & Standards

California Energy
Commission
(CEC)

**MADISON Bath mixer for wall mounting with hand shower set - Brushed
Durabronz (23kt Gold)**

MADISON

25 023 360
Parts for other
finishes can be found
here: [Chrome](#)





MADISON Bath mixer for wall mounting with hand shower set - Brushed Durabron (23kt Gold)

MADISON

25 023 360

Spare parts list

No.	Item Number	Name	Quantity used	Delivery time
1	28 002 970-28 0010	MADISON Metal hand shower with porcelain insert (white) FlowReduce - Brushed Durabron (23kt Gold)	1	20
2	28 104 970-28	Metal shower hose 1/2" x 1/2" x 1250 mm - Brushed Durabron (23kt Gold)	1	10
3	90 14 20 002 00 90	seal	1	2
4	04 17 20 010 00-28	holder	1	-
Spare part can no longer be ordered, please order the replacement item				
5	04 20 36 002 07-28	handle (hot)	1	20
6	09 26 01 011 90	accessories	1	2
7	90 15 01 001 00 90	diverter	1	2
8	09 23 10 007 90	nut	1	2
9	09 30 30 062-28	screw	1	20
10	11 170 370-28	MADISON Lever insert - Brushed Durabron (23kt Gold)	1	20
11	09 28 22 013 90	pipe	1	2
12	09 18 20 011-28	base	1	20
13	09 30 30 064-28	screw	1	20
14	04 11 04 030 00 90	connection	2	2
15	09 27 39 010-28	rosette	2	20
16	04 29 05 014 00 90	nipple	2	2
17	09 23 30 010-28	nut	2	20
18	90 21 10 010 00 90	insert	1	2
19	90 14 10 056 00 90	seal	1	2
20	09 24 03 123 20 90	nipple	1	2
21	09 14 10 022 90	seal	1	2
22	90 31 11 030 00 90	pin	1	2
23	09 11 06 033 20-28	spout	1	20
24	90 90 03 131 00 90	top	2	2
25	09 21 02 055-28	cover	2	20
26	04 20 36 002 06-28	handle (cold)	1	20
27	09 20 36 002-28	handle	2	20
28	09 20 36 004-28	handle	8	20
29	09 20 83 006 90	handle	2	2
30	09 26 01 010 90	accessories	1	2
31	09 20 36 005-28	handle	2	20
32	04 30 30 029 00 90	fixing set	2	2