

25 133 809



- 240mm projection
- spout: circular, air-enriched flow
- complete hand shower set: normal flow
- complete hand shower set with anti-scale system
- rotary diverter for bath/shower
- slide-on rosettes Ø 70 mm
- rosette for shower holder Ø 60mm
- 1/2" connection
- gauge 150 mm - 15 mm
- metal shower hose 1250mm with integrated anti-twist protection
- max. flow 21.5 l/min at 3 bar flow pressure
- max. flow for complete hand shower set 6.8 l/min

**Intrinsic protection against back flow.**

**Note: Local building codes may require the use of an anti-scald device. Please refer to remote pressure balance valve (35 910 970 90)**

Intrinsic protection against back flow.

Note: Local building codes may require the use of an anti-scald device. Please refer to remote pressure balance valve (35 910 970 90)

**Required miscellaneous**



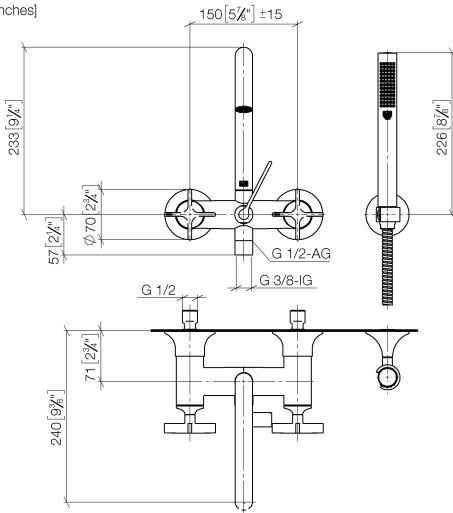
**Concealed adapter -** 35 080 970-90  
 ●please order two adapters (USA only) 0010



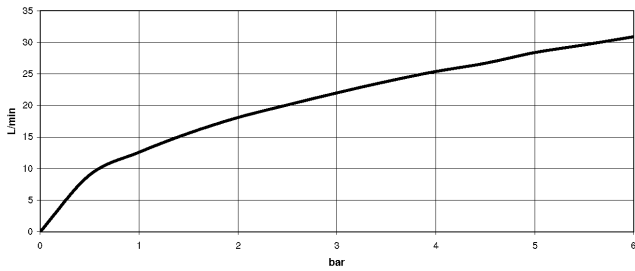
# VAIA Bath mixer for wall mounting with hand shower set - Brushed Dark Platinum

VAIA

25 133 809  
mm [inches]



## Flow rate chart



## Codes & Standards

California Energy  
Commission  
(CEC)

DIN 4109

ISO 3822

Ü-Zeichen



VAIA Bath mixer for wall mounting with hand shower set - Brushed Dark  
Platinum

---

VAIA

25 133 809  
Certificates

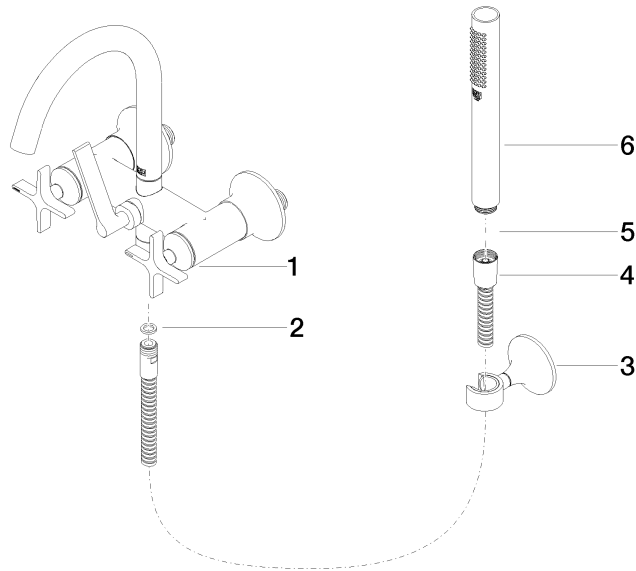
---

LGA\_29

25 133 809

Product version from 3/13/2017 to 5/27/2021

**Product version from 5/27/2021**





VAIA Bath mixer for wall mounting with hand shower set - Brushed Dark  
Platinum

---

VAIA

25 133 809

Spare parts list

Product version from 3/13/2017 to 5/27/2021

**Product version from 5/27/2021**

No.	Item Number	Name	Quantity used	Delivery time
	25 100 809-99	shower set	6	60