

**VAIA Single-lever bath mixer with stand pipe for free-standing assembly with hand shower set - Dark Chrome**

VAIA

25 863 809



- spout: circular, air-enriched flow
- max. flow 24.6 l/min at 3 bar flow pressure
- Hand shower: COMPACT RAIN, max. flow rate 6.8 l/min (at 3 bar)
- bar-type hand shower with anti-scale system
- 281mm projection
- pivotable spout 360°
- automatic bath/shower diverter
- total height 1057 - 1127 mm
- wall bracket
- stand pipe height 565 - 635 mm
- height up to aerator 925 – 995 mm
- slide-on rosettes Ø 135 mm
- metal shower hose 1250mm with integrated anti-twist protection
- WRAS 2001027

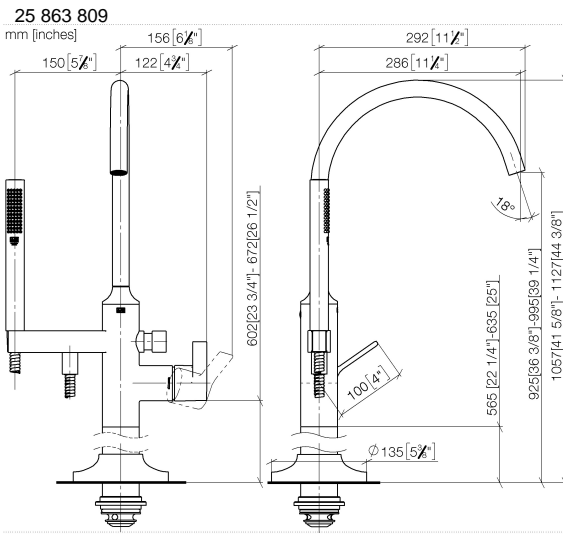
Note: Local building codes may require the use of an anti-scald device. Please refer to remote pressure balance valve (35 910 970 90)

Intrinsic protection against back flow.

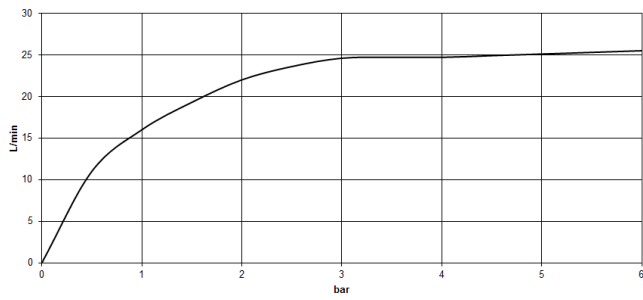
	Dark Chrome	25 863 809-19
	Chrome	25 863 809-00
	Brushed Platinum	25 863 809-06
	Platinum	25 863 809-08
	Brushed Durabronze (23kt Gold)	25 863 809-28
	Brushed Bronze	25 863 809-42
	Brushed Champagne (22kt Gold)	25 863 809-46
	Champagne (22kt Gold)	25 863 809-47
	Brushed Dark Platinum	25 863 809-99

**VAIA Single-lever bath mixer with stand pipe for free-standing assembly with hand shower set - Dark Chrome**

VAIA



**Flow rate chart**



**Codes & Standards**

ASME  
A112.18.1/CSA  
B125.1

California Energy  
Commission  
(CEC)



VAIA Single-lever bath mixer with stand pipe for free-standing assembly with  
hand shower set - Dark Chrome

---

VAIA

25 863 809

Certificates

---

Belgaqua\_24-003-  
27\_1.

VAIA Single-lever bath mixer with stand pipe for free-standing assembly with hand shower set - Dark Chrome

VAIA

25 863 809

Parts for other finishes can be found here: [Chrome](#)

