

26 413 360



- slide bar
- Pipe diameter 18 mm
- rosette Ø 60 mm
- gauge 850 mm
- metal shower hose 1750mm with integrated anti-twist protection
- shower hose connector 1/2"
- WRAS 2009048

This article does not include a hand shower!

NOTE: Hand shower sold separately. Please see hand shower options under the miscellaneous articles section of each series.

	Platinum	26 413 360-08
	Chrome	26 413 360-00
	Brushed Platinum	26 413 360-06
	Durabrace (23kt Gold)	26 413 360-09
	Brushed Durabrace (23kt Gold)	26 413 360-28
	Brushed Dark Platinum	26 413 360-99

Recommended miscellaneous



MADISON Wall elbow - Platinum 28 450 410-08 0010

Required miscellaneous



MADISON Metal hand shower with porcelain insert (white) FlowReduce - Platinum 28 002 970-08 0010

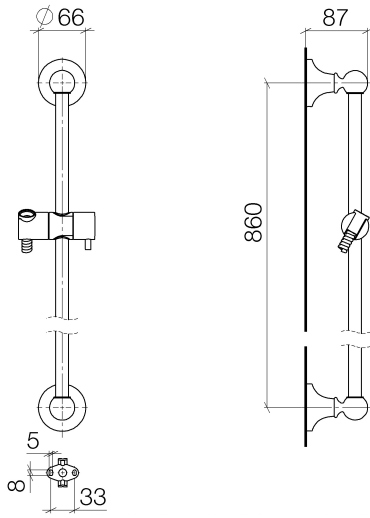
Required miscellaneous



MADISON Hand shower FlowReduce - Platinum 28 002 978-08 0010

- spray head Ø 95mm
- Hand shower see page {PAGE}
- Three settings: COMPACT RAIN, COMPACT SOFT FLOW, COMPACT AQUAPRESSURE FLOW, max. flow rate l/min (at 3 bar)

26 413 360

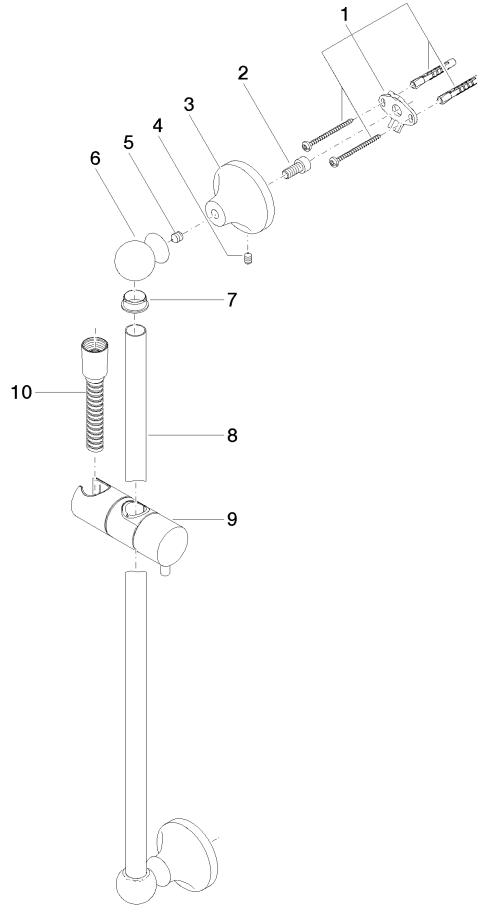


Certificates

WRAS_2009048. IAPMO_4976 (4).

26 413 360

Parts for other finishes can be found here: [Chrome](#)



Spare parts list

No.	Item Number	Name	Quantity used	Delivery time
1	90 17 20 708 00 90	fixing set	2	2
2	09 30 30 048 90	screw	2	2
3	09 17 20 016-08	holder	2	40
4	09 31 11 144 90	pin	2	2
5	09 31 11 002 90	pin	2	2
6	09 21 40 020-08	connection	2	60
7	09 18 40 009 90	sleeve	2	2
8	08 28 22 596-08	pipe	1	40
9	12 580 970-08	Slide unit - Platinum	1	40
10	28 204 970-08	Metal shower hose 1/2" x 1/2" x 1750 mm - Platinum	1	40