

MADISON Shower set without hand shower - Chrome

MADISON

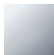

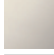



26 413 370



- slide bar
- Pipe diameter 18 mm
- rosettes Ø 60 mm
- gauge 850 mm
- metal shower hose 1750mm with integrated anti-twist protection
- shower hose connector 1/2"

This article does not include a hand shower!

NOTE: Hand shower sold separately. Please see hand shower options under the miscellaneous articles section of each series.

	Chrome	26 413 370-00
	Brushed Platinum	26 413 370-06
	Platinum	26 413 370-08
	Durabrace (23kt Gold)	26 413 370-09
	Brushed Durabrace (23kt Gold)	26 413 370-28
	Brushed Dark Platinum	26 413 370-99

Recommended miscellaneous



Concealed adapter - 35 080 970-90
0010

Recommended miscellaneous



MADISON Wall elbow - Chrome 28 450 370-00

Required miscellaneous



MADISON Metal hand shower with porcelain insert (white) FlowReduce - Chrome 28 002 970-00
0010

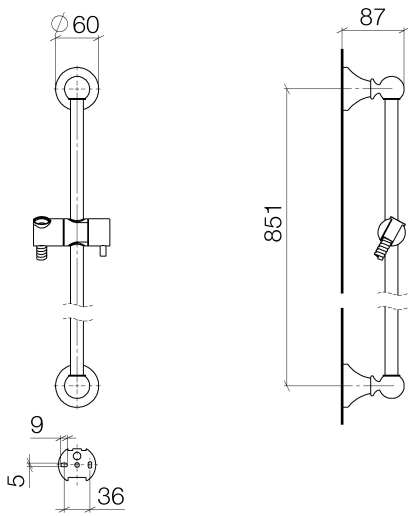
Required miscellaneous



MADISON Hand shower FlowReduce - Chrome 28 002 978-00
0010

- spray head Ø 95mm
- Hand shower see page {PAGE}
- Three settings: COMPACT RAIN, COMPACT SOFT FLOW, COMPACT AQUAPRESSURE FLOW, max. flow rate l/min (at 3 bar)

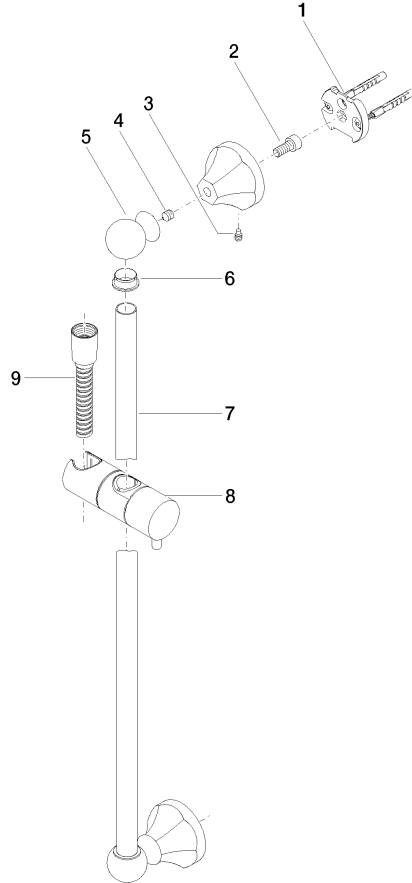
26 413 370



Certificates

WRAS_2009048. IAPMO_4976 (1).

26 413 370



Spare parts list

No.	Item Number	Name	Quantity used	Delivery time
1	05 17 97 507 00 90	fixing set	2	2
2	09 30 30 048 90	screw	2	2
3	09 31 11 140 90	pin	2	60
4	09 31 11 002 90	pin	2	2
5	09 21 40 020-00	connection	2	60
6	09 18 40 009 90	sleeve	2	2
7	08 28 22 596-00	pipe	1	10
8	12 580 970-00	Slide unit - Chrome	1	10
9	28 204 970-00	Metal shower hose 1/2" x 1/2" x 1750 mm - Chrome	1	2