

# MADISON Showerpipe with shower mixer without hand shower - Durabrass (23kt Gold)

MADISON

26 632 360



- shower with fixed riser projection 420mm
  - overhead shower: rain flow
  - rain shower Ø 200 mm
  - rain shower with anti-scale system
  - max. rainshower flow 6.8 l/min
  - rotary diverter for fixed-riser shower/hand shower
  - height of fittings up to top edge of elbow 1180mm
  - height of fittings up to rain shower (bottom edge) 1009mm
  - rosette for shower holder Ø 66mm
  - rosette for wall mounting Ø 70mm
  - rosette for shower mixer Ø 60mm
  - gauge 150 mm - 13 mm
  - metal shower hose 1250mm with integrated anti-twist protection
  - 1/2" connection
  - Pipe diameter 20 mm
  - This product reduces water consumption by % (compared to requirements of EPAct '92)
  - This product can contribute to Water Use Reduction in LEED® Green Building Rating
  - This product can help a building meet the requirements of Green Building Rating Systems, e.g. LEED®, BREEAM®, DGNB
- Note: Local building codes may require the use of an anti-scald device. Please refer to remote pressure balance valve (35 910 970 90) Intrinsic protection against back flow.**

**NOTE: Hand shower sold separately. Please see hand shower options under the miscellaneous articles section of each series.**

Note: Local building codes may require the use of an anti-scald device. Please refer to remote pressure balance valve (35 910 970 90)

Intrinsic protection against back flow.

NOTE: Hand shower sold separately. Please see hand shower options under the miscellaneous articles section of each series.

	Durabrass (23kt Gold)	26 632 360-09 0010
	Chrome	26 632 360-00 0010
	Brushed Platinum	26 632 360-06 0010
	Platinum	26 632 360-08 0010
	Brushed Durabrass (23kt Gold)	26 632 360-28 0010
	Brushed Dark Platinum	26 632 360-99 0010

## Required miscellaneous

	<b>Concealed adapter -</b> •please order two adapters (USA only)	35 080 970-90 0010
--	---	--------------------

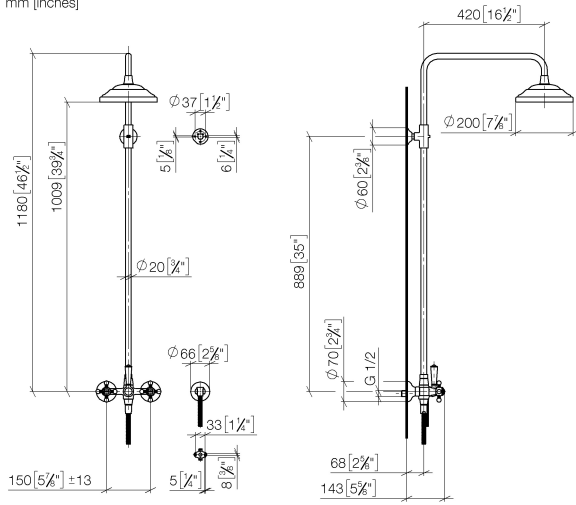
## Required miscellaneous

	<b>MADISON Metal hand shower with porcelain insert (white) FlowReduce - Durabrass (23kt Gold)</b>	28 002 970-09 0010
--	---	--------------------

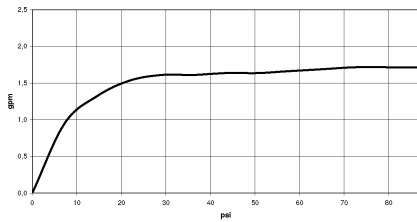
## Required miscellaneous

	<b>MADISON Hand shower FlowReduce - Durabrass (23kt Gold)</b> •spray head Ø 95mm •Hand shower see page {PAGE} •Three settings: COMPACT RAIN, COMPACT SOFT FLOW, COMPACT AQUAPRESSURE FLOW, max. flow rate l/min (at 3 bar)	28 002 978-09 0010
--	---	--------------------

26 632 360  
mm [inches]



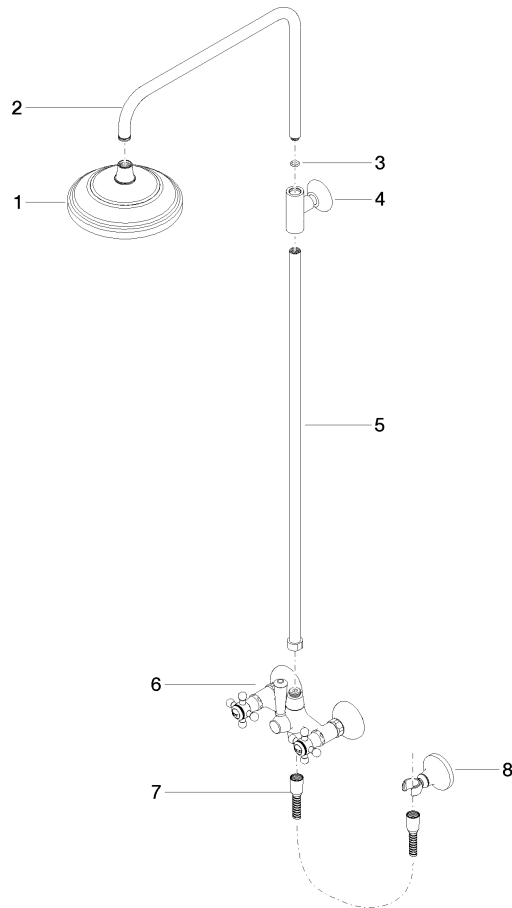
**Flow rate chart**



**Codes & Standards**

California Energy  
Commission  
(CEC)

26 632 360





**MADISON Showerpipe with shower mixer without hand shower - Durabrass  
(23kt Gold)**

MADISON

26 632 360

**Spare parts list**

No.	Item Number	Name	Quantity used	Delivery time
	04 12 05 038 30-09	shower	8	40