

26 632 809



- shower with fixed riser projection 450mm
 - Rain shower: PURE RAIN, max. flow rate 6.8 l/min (at 3 bar)
 - rain shower Ø 300 mm
 - rain shower with anti-scale system
 - rotary diverter for fixed-riser shower/hand shower
 - height of fittings up to rain shower (bottom edge) 960mm
 - height of fittings up to top edge of elbow 1262mm
 - rosette for shower holder Ø 60mm
 - slide-on rosettes Ø 60 mm
 - gauge 150 mm - 13 mm
 - 1500 mm metal shower hose
 - 1/2" connection
 - Pipe diameter 23.5 mm
 - quick clearing
 - This product reduces water consumption by % (compared to requirements of EPAAct '92)
 - This product can contribute to Water Use Reduction in LEED® Green Building Rating
- Note: Local building codes may require the use of an anti-scald device. Please refer to remote pressure balance valve (35 910 970 90) Intrinsic protection against back flow.**

	Platinum	26 632 809-08 0010
	Chrome	26 632 809-00 0010
	Brushed Platinum	26 632 809-06 0010
	Dark Chrome	26 632 809-19 0010
	Brushed Durabronze (23kt Gold)	26 632 809-28 0010
	Brushed Champagne (22kt Gold)	26 632 809-46 0010
	Champagne (22kt Gold)	26 632 809-47 0010
	Brushed Dark Platinum	26 632 809-99 0010

NOTE: Hand shower sold separately. Please see hand shower options under the miscellaneous articles section of each series.

Note: Local building codes may require the use of an anti-scald device. Please refer to remote pressure balance valve (35 910 970 90)

Intrinsic protection against back flow.

NOTE: Hand shower sold separately. Please see hand shower options under the miscellaneous articles section of each series.

Required miscellaneous

	Concealed adapter - •please order two adapters (USA only)	35 080 970-90 0010
--	---------------------------------------------------------------------	--------------------

Required miscellaneous

	Hand shower FlowReduce - Platinum	28 012 979-08 0010
--	------------------------------------------	--------------------

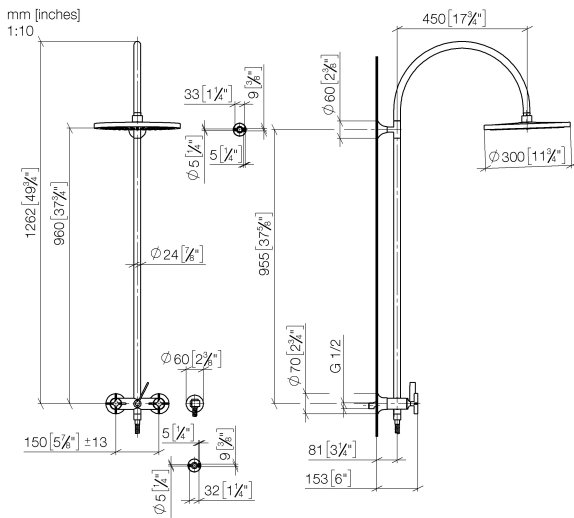
Required miscellaneous

	Hand shower FlowReduce - Platinum	28 016 979-08 0010
--	------------------------------------------	--------------------

Required miscellaneous

	Hand shower FlowReduce - Platinum	28 018 979-08 0010
--	------------------------------------------	--------------------

26 632 809



Flow rate chart



Codes & Standards

California Energy
Commission
(CEC)

Water Sense





VAIA Showerpipe with shower mixer without hand shower - Platinum

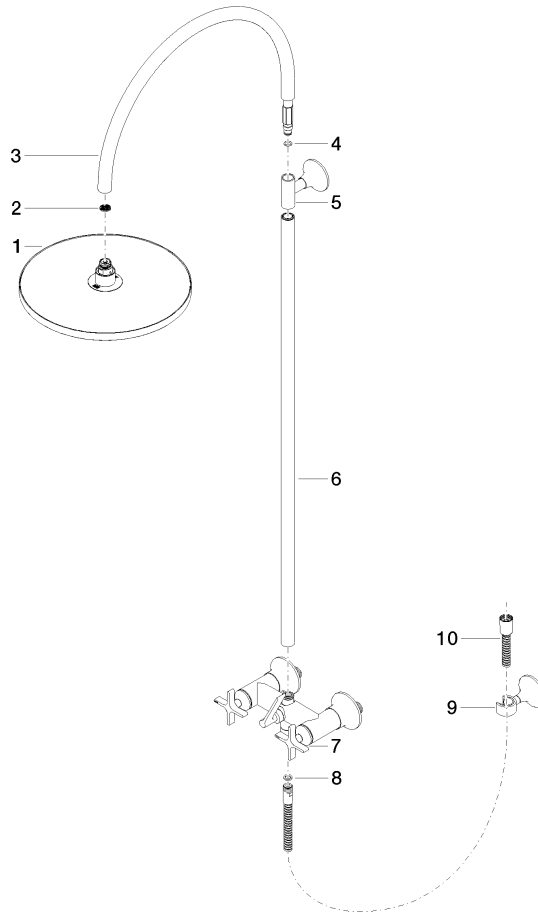
VAIA

26 632 809

Certificates

IAPMO_11777.

26 632 809



Spare parts list

No.	Item Number	Name	Quantity used	Delivery time
1	04 12 05 091 10-08	shower	1	40
2	09 23 01 039 90	sieve	1	2
3	04 28 22 346 00-08	pipe	1	40
4	09 14 10 008 90	seal	1	2
5	90 17 11 148 00-08	holder	1	40
6	04 28 22 349 00-08	pipe	1	40
7	04 17 10 020 03-08	fitting	1	40
8	90 14 20 026 00 90	seal	1	2
9	28 050 809-08	VAIA Wall bracket - Platinum	1	40
10	28 304 970-08	Metal shower hose 1/2" x 3/8" x 1500 mm - Platinum	1	40