

26 632 809



- shower with fixed riser projection 450mm
- Rain shower: PURE RAIN, max. flow rate 6.8 l/min (at 3 bar)
- rain shower Ø 300 mm
- rain shower with anti-scale system
- rotary diverter for fixed-riser shower/hand shower
- height of fittings up to rain shower (bottom edge) 960mm
- height of fittings up to top edge of elbow 1262mm
- rosette for shower holder Ø 60mm
- slide-on rosettes Ø 60 mm
- gauge 150 mm - 13 mm
- 1500 mm metal shower hose
- 1/2" connection
- Pipe diameter 23.5 mm
- quick clearing
- This product reduces water consumption by % (compared to requirements of EPAct '92)
- This product can contribute to Water Use Reduction in LEED® Green Building Rating

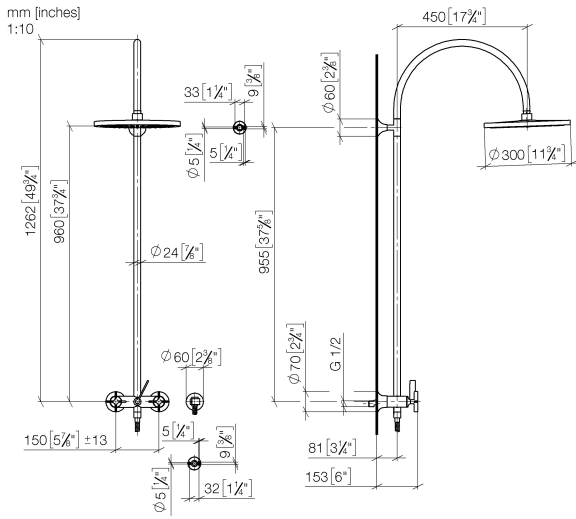
Note: Local building codes may require the use of an anti-scald device. Please refer to remote pressure balance valve (35 910 970 90)

Intrinsic protection against back flow.

NOTE: Hand shower sold separately. Please see hand shower options under the miscellaneous articles section of each series.

	Dark Chrome	26 632 809-19 0010
	Chrome	26 632 809-00 0010
	Brushed Platinum	26 632 809-06 0010
	Platinum	26 632 809-08 0010
	Brushed Durabronze (23kt Gold)	26 632 809-28 0010
	Brushed Champagne (22kt Gold)	26 632 809-46 0010
	Champagne (22kt Gold)	26 632 809-47 0010
	Brushed Dark Platinum	26 632 809-99 0010

26 632 809



Flow rate chart



Codes & Standards

California Energy
Commission
(CEC)

26 632 809

Parts for other
finishes can be found
here: [Chrome](#)

