

26 632 892



- shower with fixed riser projection 420mm
 - overhead shower: rain flow
 - rain shower Ø 220 mm
 - rain shower with anti-scale system
 - max. rainshower flow 6.8 l/min
 - rotary diverter for fixed-riser shower/hand shower
 - height of fittings up to rain shower (bottom edge) 850mm
 - height of fittings up to top edge of elbow 1167mm
 - rosette for shower holder Ø 55mm
 - rosette for wall mounting Ø 57mm
 - rosette for shower mixer Ø 65mm
 - gauge 150 mm - 13 mm
 - 1500 mm metal shower hose
 - 1/2" connection
 - Pipe diameter 20 mm
 - quick clearing
 - This product reduces water consumption by % (compared to requirements of EPAct '92)
 - This product can contribute to Water Use Reduction in LEED® Green Building Rating
- Note: Local building codes may require the use of an anti-scald device. Please refer to remote pressure balance valve (35 910 970 90) Intrinsic protection against back flow.**
- NOTE: Hand shower sold separately. Please see hand shower options under the miscellaneous articles section of each series.**

	Chrome	26 632 892-00 0010
	Brushed Platinum	26 632 892-06 0010
	Platinum	26 632 892-08 0010
	Dark Chrome	26 632 892-19 0010
	Brushed Durabrass (23kt Gold)	26 632 892-28 0010
	Matte Black	26 632 892-33 0010
	Brushed Champagne (22kt Gold)	26 632 892-46 0010
	Champagne (22kt Gold)	26 632 892-47 0010
	Brushed Chrome	26 632 892-93 0010
	Brushed Dark Platinum	26 632 892-99 0010

Note: Local building codes may require the use of an anti-scald device. Please refer to remote pressure balance valve (35 910 970 90)

Intrinsic protection against back flow.

NOTE: Hand shower sold separately. Please see hand shower options under the miscellaneous articles section of each series.

Required miscellaneous

	Concealed adapter - •please order two adapters (USA only)	35 080 970-90 0010
--	---	--------------------

Required miscellaneous

	Hand shower FlowReduce - Chrome	28 016 979-00 0010
--	--	--------------------

Required miscellaneous

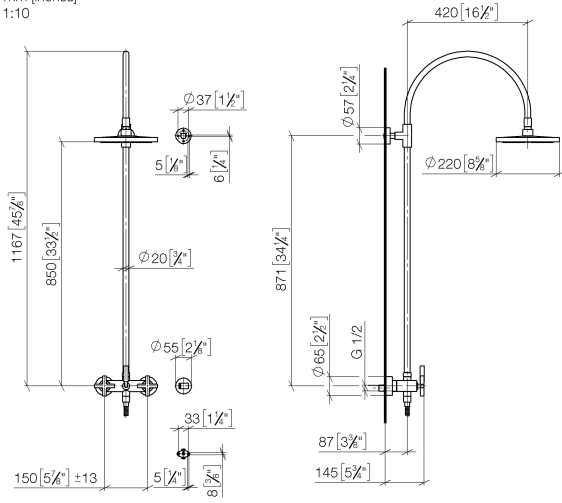
	Hand shower FlowReduce - Chrome	28 012 979-00 0010
--	--	--------------------

Required miscellaneous

	Hand shower FlowReduce - Chrome	28 018 979-00 0010
--	--	--------------------

26 632 892

mm [inches]
1:10



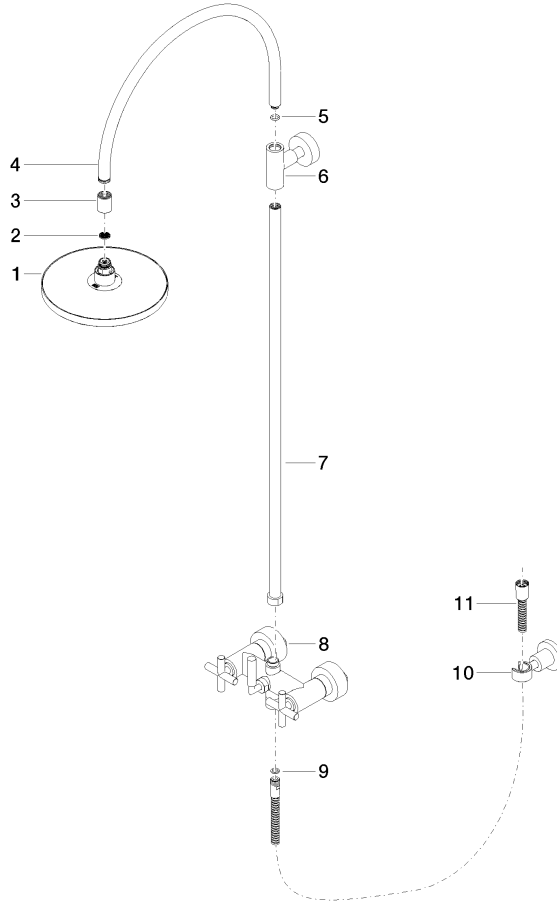
Flow rate chart



Codes & Standards

California Energy
Commission
(CEC)

26 632 892



Spare parts list

No.	Item Number	Name	Quantity used	Delivery time
1	04 12 05 092 10-00	shower	1	10
2	09 23 01 039 90	sieve	1	2
3	09 24 03 177 20-00	adaptor	1	10
4	04 28 22 097 20-00	spout	1	10
5	90 14 10 011 00 90	seal	1	2
6	90 17 11 037 00-00	holder	1	10
7	90 28 22 096 00-00	pipe	1	10
8	04 17 10 020 01-00	fitting	1	10
9	90 14 20 026 00 90	seal	1	2
10	28 050 892-00	TARA Wall bracket - Chrome	1	10
11	28 304 970-00	Metal shower hose 1/2" x 3/8" x 1500 mm - Chrome	1	2