

**MEM Three-hole single-lever bath mixer for bath rim or tile edge installation -
Brushed Platinum**

MEM

27 412 782



- 220mm projection
- spout: rectangular normal flow
- max. flow 20.4 l/min at 3 bar flow pressure
- Hand shower: COMPACT RAIN, max. flow rate 6.8 l/min (at 3 bar)
- complete hand shower set with anti-scale system
- automatic bath/shower diverter
- height of mixer 300 mm
- height up to aerator 170 mm
- hole diameter spout 32 mm
- single-lever mixer hole diameter 35 mm
- hole diameter for complete hand shower set 32 mm
- rosette for mixer 60 x 60mm
- rosette for spout 60 x 60mm
- rosette for complete hand shower set 60 x 60mm
- metal shower hose 2250mm with integrated anti-twist protection

Note: Local building codes may require the use of an anti-scald device. Please refer to remote pressure balance valve (35 910 970 90)

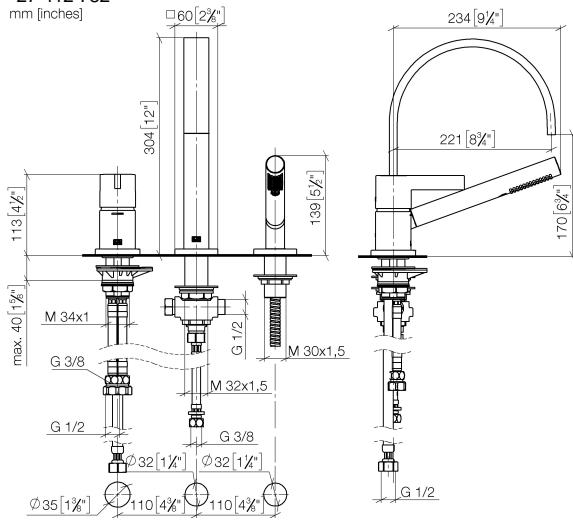
Intrinsic protection against back flow.

	Brushed Platinum	27 412 782-06
	Chrome	27 412 782-00
	Platinum	27 412 782-08
	Dark Chrome	27 412 782-19
	Brushed Durabrass (23kt Gold)	27 412 782-28
	Brushed Champagne (22kt Gold)	27 412 782-46
	Champagne (22kt Gold)	27 412 782-47
	Brushed Dark Platinum	27 412 782-99

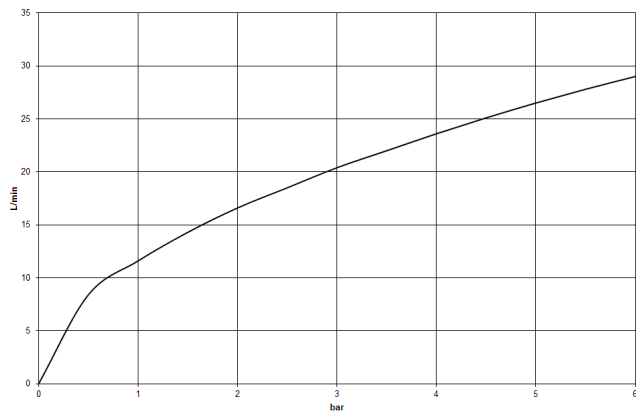
**MEM Three-hole single-lever bath mixer for bath rim or tile edge installation -
Brushed Platinum**

MEM

27 412 782
mm [inches]



Flow rate chart



Codes & Standards

ASME
A112.18.1/CSA
B125.1

California Energy
Commission
(CEC)



MEM Three-hole single-lever bath mixer for bath rim or tile edge installation -
Brushed Platinum

MEM

27 412 782

Certificates

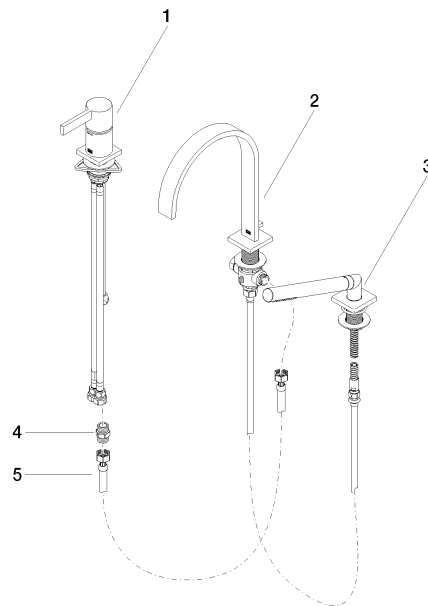
Belgaqua_19_80_27. IAPMO_4976 (2). LGA_29730. Belgaqua_24-008-
27_4.

**MEM Three-hole single-lever bath mixer for bath rim or tile edge installation -
Brushed Platinum**

MEM

27 412 782

Parts for other
finishes can be found
here: [Chrome](#)



Spare parts list

No.	Item Number	Name	Quantity used	Delivery time
1	29 300 670-06	Single-lever bath mixer for bath rim or tile edge installation - Brushed Platinum	1	10
2	13 512 782-06	spout	1	60
3	27 702 980-06	Hand shower set for bath rim or tile edge installation - Brushed Platinum	1	10
4	90 24 03 168 00 90	nipple	1	2
5	12 502 970 90	High pressure hose 1/2" x 1/2" x 400 mm -	1	2