

**LISSÉ Three-hole single-lever bath mixer for bath rim or tile edge installation -  
Brushed Light Gold**

LISSÉ







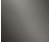
27 412 845



- spout: circular, air-enriched flow
- max. flow 16.9 l/min at 3 bar flow pressure
- Hand shower: COMPACT RAIN, max. flow rate 6.8 l/min (at 3 bar)
- complete hand shower set with anti-scale system
- 200mm projection
- automatic bath/shower diverter
- height of mixer 141 mm
- height up to aerator 88 mm
- hole diameter spout 32 mm
- hole diameter single-lever mixer 35 mm
- hole diameter for complete hand shower set 32 mm
- rosette for complete hand shower set Ø 50mm
- metal shower hose 1750mm with integrated anti-twist protection

Note: Local building codes may require the use of an anti-scald device. Please refer to remote pressure balance valve (35 910 970 90)

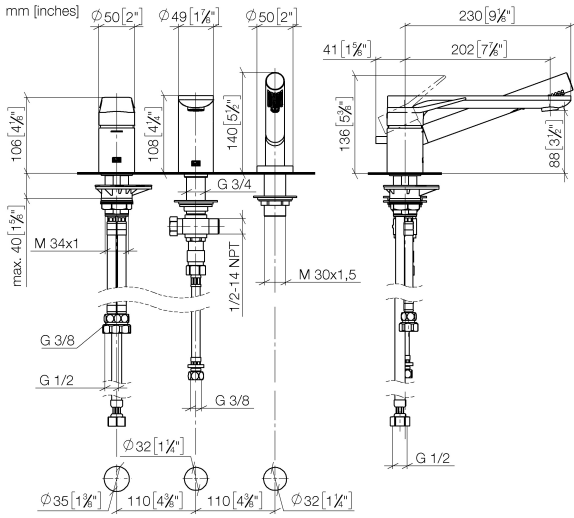
Intrinsic protection against back flow.

	Brushed Light Gold	27 412 845-27
	Chrome	27 412 845-00
	Brushed Platinum	27 412 845-06
	Dark Chrome	27 412 845-19
	Matte Black	27 412 845-33
	Brushed Chrome	27 412 845-93
	Brushed Dark Platinum	27 412 845-99

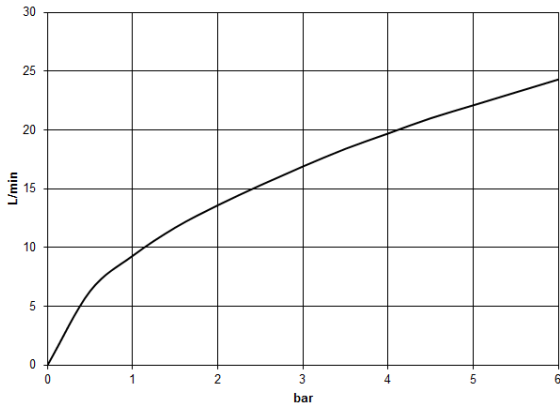
**LISSÉ Three-hole single-lever bath mixer for bath rim or tile edge installation -  
Brushed Light Gold**

LISSÉ

27 412 845



**Flow rate chart**



**Codes & Standards**

ASME  
A112.18.1/CSA  
B125.1

California Energy  
Commission  
(CEC)

EN 1717



LISSÉ Three-hole single-lever bath mixer for bath rim or tile edge installation -  
Brushed Light Gold

---

LISSÉ

27 412 845

Certificates

---

Belgaqua\_24-008-2



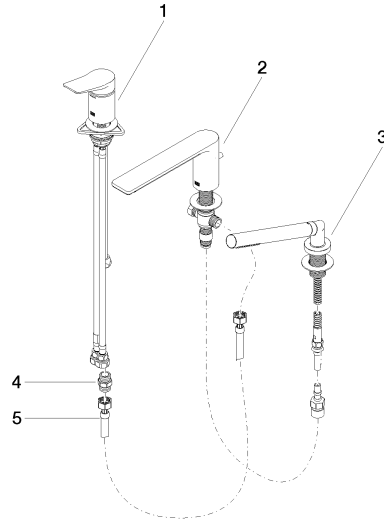
# LISSÉ Three-hole single-lever bath mixer for bath rim or tile edge installation - Brushed Light Gold

LISSÉ

27 412 845

**Product version from 4/1/2024**

Parts for other  
finishes can be found  
here: [Chrome](#)





LISSÉ Three-hole single-lever bath mixer for bath rim or tile edge installation -  
Brushed Light Gold

---

LISSÉ

27 412 845

**Spare parts list**

**Product version from 4/1/2024**

No.	Item Number	Name	Quantity used	Delivery time
	29 300 845-27	connection	5	-

---

Spare part can no longer be ordered, please order the replacement item

---