


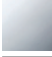
27 512 710



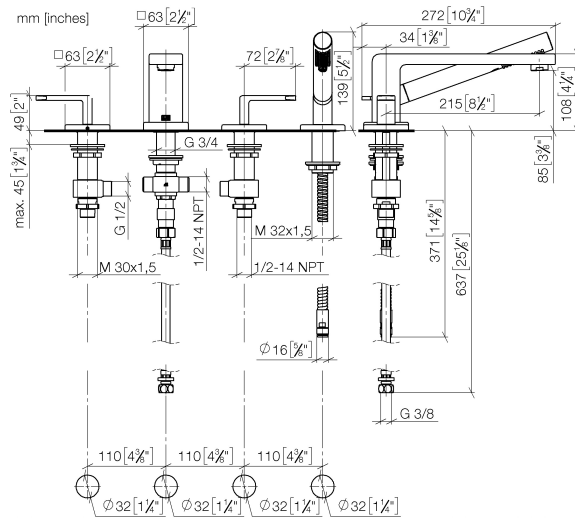
- spout: circular, air-enriched flow
- max. flow 23.5 l/min at 3 bar flow pressure
- Hand shower: COMPACT RAIN, max. flow rate 6.8 l/min (at 3 bar)
- complete hand shower set with anti-scale system
- 215mm projection
- automatic bath/shower diverter
- height of mixer 110 mm
- height up to aerator 84 mm
- hole diameter valve 32 mm
- hole diameter spout 32 mm
- hole diameter for complete hand shower set 32 mm
- rosette for spout 63 x 63mm
- rosette for complete hand shower set 63 x 63mm
- rosette for deck valve 63 x 63mm
- metal shower hose 1750mm with integrated anti-twist protection

Intrinsic protection against back flow.

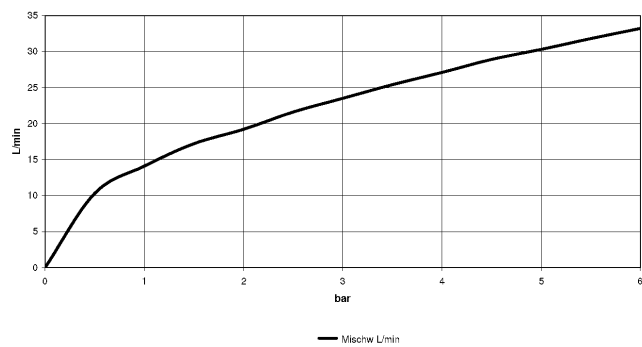
Note: Local building codes may require the use of an anti-scald device. Please refer to remote pressure balance valve (35 910 970 90)

	Brushed Platinum	27 512 710-06
	Chrome	27 512 710-00

27 512 710



Flow rate chart



Codes & Standards

ASME
A112.18.1/CSA
B125.1

California Energy
Commission
(CEC)



LULU Bath shower set for bath rim or tile edge installation - Brushed Platinum

LULU

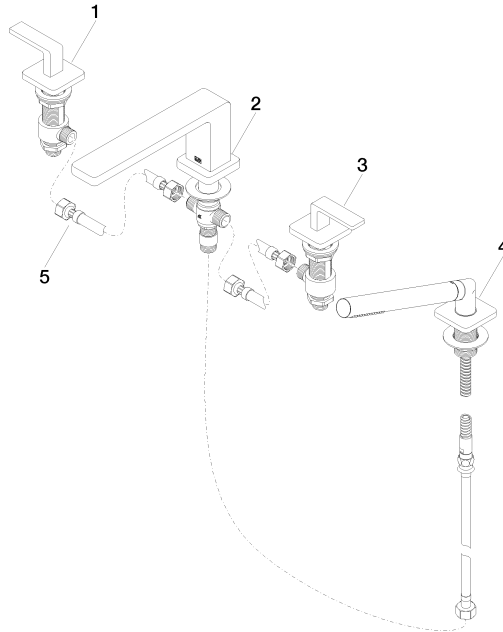
27 512 710

Certificates

IAPMO_4976 (5). LGA_19547.

27 512 710

Parts for other finishes can be found here: [Chrome](#)



Spare parts list

No.	Item Number	Name	Quantity used	Delivery time
1	20 000 710-06	side panel	1	60
2	13 512 710-06	spout	1	60
3	20 000 711-06	side panel	1	60
4	27 702 710-06	LULU Hand shower set for bath rim or tile edge installation - Brushed Platinum	1	-
Spare part can no longer be ordered, please order the replacement item				
5	12 502 970 90	High pressure hose 1/2" x 1/2" x 400 mm -	1	2