

27 522 809



- spout: circular, air-enriched flow
- max. flow 21.5 l/min at 3 bar flow pressure
- Hand shower: COMPACT RAIN, max. flow rate 6.8 l/min (at 3 bar)
- complete hand shower set with anti-scale system
- 220mm projection
- automatic bath/shower diverter
- height of mixer 347 mm
- height up to aerator 244 mm
- hole diameter valve 32 mm
- hole diameter spout 32 mm
- hole diameter for complete hand shower set 32 mm
- rosette for complete hand shower set Ø 60mm
- rosette for spout Ø 60mm
- rosette for deck valve Ø 60mm
- metal shower hose 1750mm with integrated anti-twist protection
- WRAS 2310008

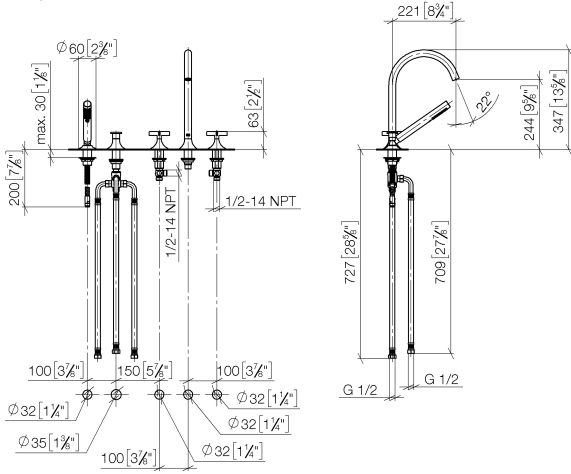
Intrinsic protection against back flow.

Note: Local building codes may require the use of an anti-scald device. Please refer to remote pressure balance valve (35 910 970 90)

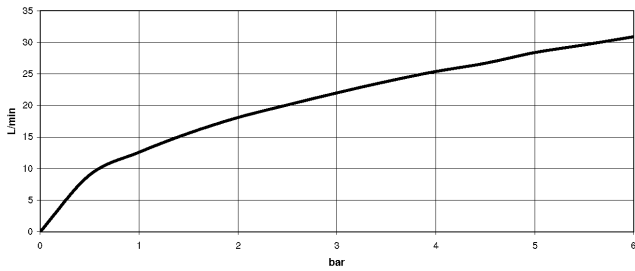
	Brushed Platinum	27 522 809-06
	Chrome	27 522 809-00
	Platinum	27 522 809-08
	Dark Chrome	27 522 809-19
	Brushed Durabronze (23kt Gold)	27 522 809-28
	Brushed Bronze	27 522 809-42
	Brushed Champagne (22kt Gold)	27 522 809-46
	Champagne (22kt Gold)	27 522 809-47
	Brushed Dark Platinum	27 522 809-99

27 522 809

mm [inches]  
M 1:10



**Flow rate chart**



**Codes & Standards**

ASME A112.18.1	ASME A112.18.1/CSA B125.1	California Energy Commission (CEC)	cUPC
DIN 4109	EN 1717	Executive Order no. 1007	ISO 3822

**Ü-Zeichen**



VAIA Five-hole bath mixer for deck mounting with diverter - Brushed Platinum

---

VAIA

27 522 809

Certificates

---

WRAS\_2310

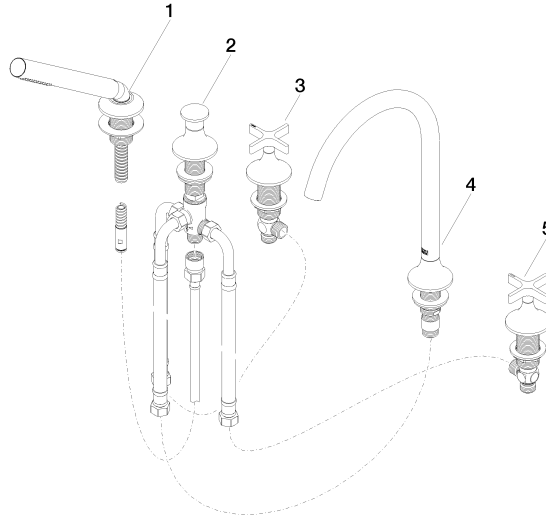
IAPMO\_4976

Belgaqua\_22\_278\_2 LGA\_29

27 522 809

**Product version from 3/13/2017**

Parts for other finishes can be found here: [Chrome](#)





VAIA Five-hole bath mixer for deck mounting with diverter - Brushed Platinum

VAIA

27 522 809

**Spare parts list**

**Product version from 3/13/2017**

No.	Item Number	Name	Quantity used	Delivery time
	27 702 809-06	VAIA Hand shower set for bath rim or tile edge installation - Brushed Platinum	5	10