


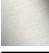


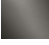
27 523 821



- 167mm projection
- complete hand shower set: normal flow
- complete hand shower set with anti-scale system
- automatic bath/shower diverter
- height of mixer 198 mm
- height up to aerator 133 mm
- hole diameter spout 32 mm
- hole diameter valve 32 mm
- hole diameter for complete hand shower set 32 mm
- rosette for complete hand shower set 60 x 60mm
- rosette for deck valve 60 x 60mm
- metal shower hose 1700mm with integrated anti-twist protection
- max. flow 23.8 l/min at 3 bar flow pressure
- max. flow for complete hand shower set 6.8 l/min

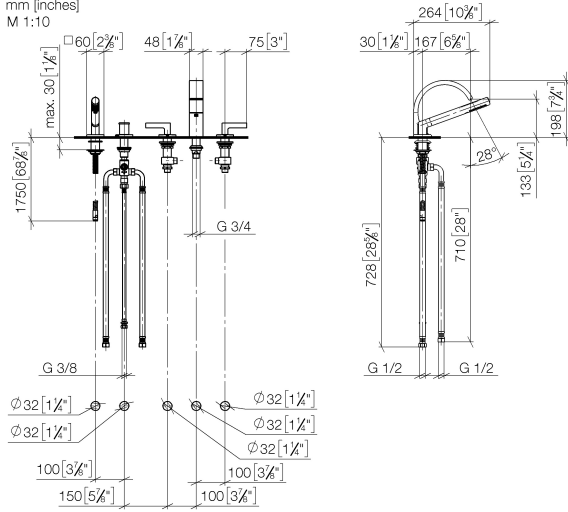
Intrinsic protection against back flow.

Note: Local building codes may require the use of an anti-scald device. Please refer to remote pressure balance valve (35 910 970 90)

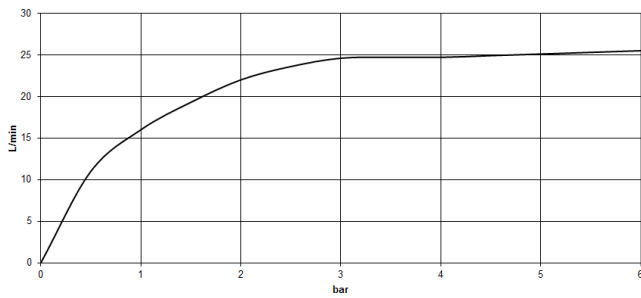
	Chrome	27 523 821-00
	Brushed Platinum	27 523 821-06
	Dark Chrome	27 523 821-19
	Brushed Durabronze (23kt Gold)	27 523 821-28
	Brushed Dark Platinum	27 523 821-99

27 523 821

mm [inches]
M 1:10



Flow rate chart



Codes & Standards

ASME A112.18.1

California Energy
Commission
(CEC)

cUPC

DIN 4109

ISO 3822

Ü-Zeichen



CYO Five-hole bath mixer for bath rim or tile edge installation - Chrome

CYO

27 523 821

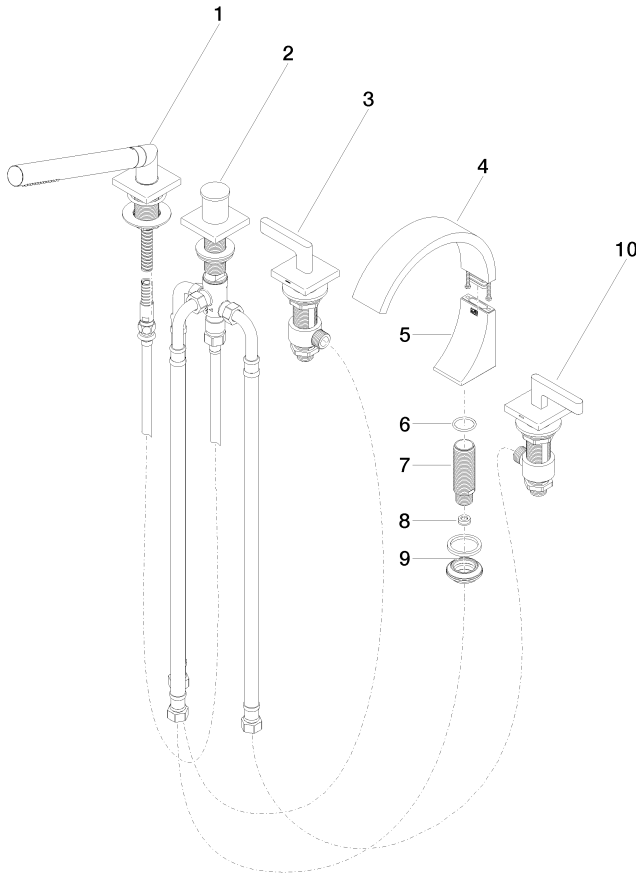
Certificates

LGA_38

IAPMO_4976

27 523 821

Parts for other finishes can be found here: [Brushed](#)
[Platinum](#)





CYO Five-hole bath mixer for bath rim or tile edge installation - Chrome

CYO

27 523 821

Spare parts list

No.	Item Number	Name	Quantity used	Delivery time
	27 702 980-00	Hand shower set for bath rim or tile edge installation - Chrome	10	10